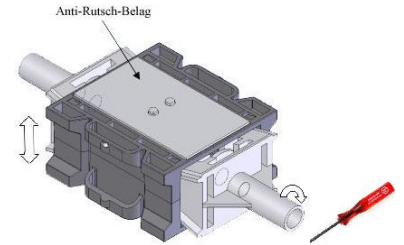
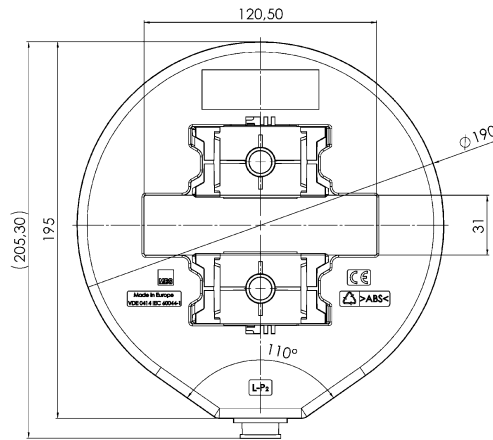


ASG 123

Plug-in transformer for panel boards with hardened Polyurethan resin
Current and protection transformer in one housing



Dimensions:

Primary conductor 1: 2x 120x10 mm
Primary conductor 2: 120x30 mm
Transformer depths: 50, 100, 125 mm

General technical specifications:

Thermal nominal continuous rated current I_{cth} : $1.2 \times I_N$
Thermal nominal short-time current I_{th} : 25 kA, 3 sec.,
other values upon request
Maximum operation voltage U_m : 1.2 kV
Isolation test voltage: 6 kV, U_{eff} , 50 Hz, 1 min.
Rated frequency: 50 Hz, other values upon request
Isolation class: F
Applicable technical standards: DIN EN 60044/1
VDE 0414 Teil 1

Further information::

- Tube current transformer with 1...3 measuring systems integrated in one housing
- Depth dependent on the number and type of the chosen measuring system
- It is possible to integrate into one housing a combination of measuring transformers and protection transformers
- Measuring systems with hardened Polyurethan resin
- Reliable results under extreme mechanical and climatic conditions
- Resin material with high fire safety (UL94-V0)
- Simple fixation on the bus- bar by means of two clamp modules included in delivery
- Vibration stability of the current transformer was confirmed by an external independent laboratory
- Applications: SF6-isolated medium voltage switchgears, wind turbines, facilities for power generation on ships, power distribution systems etc.
- Primary current range 500 A ... 4000 A
- Secondary currents: 5 A, 2 A or 1 A, other values upon request
- Accuracy classes: 1; 0.5; 0.5s; 0.2 and 0.2s
- Protection classes: 5P10, 10P10, 5P20, 10P20, PX

MBS AG

Eisbachstraße 51 · 74429 Sulzbach-Laufen
Germany

Telefon: +49 7976 9851-0 · Telefax: +49 7976 9851-90
E-Mail: info@mbs-ag.com · Web: www.mbs-ag.com

- Secondary connections: Flexible copper wire, standard length 1.5 m, 4 mm², other lengths and profiles upon request
- Solidly installed flexible terminal connections, additional textile braided sleeving for the protection of the isolation of the connection cable
- Influence of cable length is taken into account in the interpretation of the measurement systems
- Overload operation limit up to 120% of the primary rated current
- Over current rated limiting factor: See rating plate
- Operating temperature: $-5^{\circ}\text{C} < T < +60^{\circ}\text{C}$
- Storage temperature: $-25^{\circ}\text{C} < T < +70^{\circ}\text{C}$
- Housing material: ABS, self-extinguishing, UL94-V0,
- 1-phase low voltage current transformer
- Full resin hardening and a new fixation system allow the application with higher mechanical load (application close to generator)
- High climate resistance and electric safety is achieved by high-quality materials
- Reduction of external wiring by means of flexible selectable length of secondary connection cables
- Packaging unit: 1 pc.
- Customs tariff number: 85043129

Application example:

