

# Safety Relay H-469



## General

- 2 contacts
- Forced guided contact set
- According to EN 50205, application type A
- Ambient temperature -25 ... +80 °C
- Soldering heat resistance 260 °C/5s
- RoHS compliance

## Connections

- Soldering pins for PCB, pre-soldered with Sn100

## Drive

- Direct current, polarized monostable

## Approvals

- cULus • TÜV

## Standards

- EN 50205 • IEC 61810-1 • UL 508

## Technical Data mechanical

Dimensions L x B x H (in mm)	37,6 x 12,5 x 30
Shock resistance NO-contact/NC-contact	10/9 g, 11 ms Half sinus
Vibration resistance NO-contact/NC-contact	5/5 g, 5 - 200 Hz
Operating time NC-contact, contact opens	typical 12 ms
Operating time NO-contact, contact closes	typical 17 ms
Releasing time NO-contact, contact opens	typical 5 ms
Releasing time NC-contact, contact closes	typical 7 ms
Mechanical service life (without load)	>10 <sup>7</sup> cycles
Weight	30 g

## Technical Data electrical

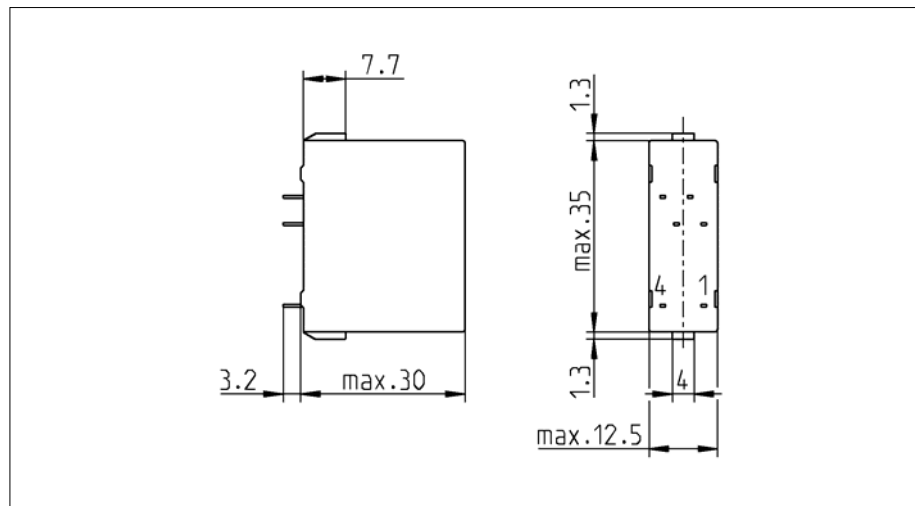
Max. switching capacity	AC 1.500 VA, DC *W
Max. switching voltage	AC 230/240 V, DC *V
Max. switching current	8 A
Constant current I <sub>th2</sub>	6 A
Switching capacity	AC-15 230/240 V DC-13 24 V
	I <sub>e</sub> = 4/2 A (Contact AgNi/AgSnO <sub>2</sub> ) I <sub>e</sub> = 2/2 A (Contact AgNi/AgSnO <sub>2</sub> )
Electrical service life (with nominal load)	>10 <sup>5</sup> cycles
Short-circuit capacity 1.000 A/AC 230 V	6 A gL/gG-fuse
* see DC-switching capacity	

## Insulation

Over voltage category (Ü) III	B-I = Basic insulation
Degree of pollution (V) 2	V-I = Reinforced (double) insulation
Insulating material group II	

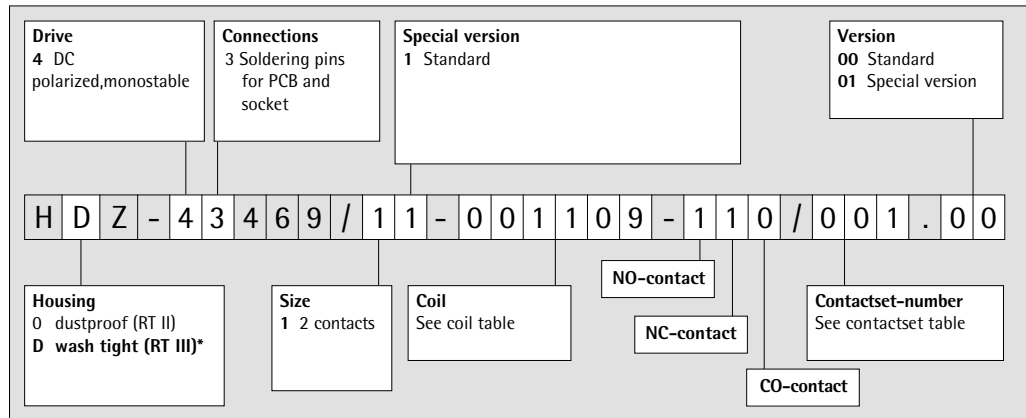
Insulation between	Nominal voltage network system		Air-/creeping distance	Test voltage 50Hz/60s
	AC 120/240 V	AC230/400V		
Contact - Contact	V-I	B-I	> 3 mm	AC 2.000 V
Contactset - Drive	V-I	B-I	> 3 mm	AC 2.500 V

## Dimensions



# Safety Relay H-469

## Type key



\* Preferred version

## Contactset table

Number of contacts NO/NC/NO-contacts	AgNi +0,2 µm Au	AgNi +2 µm Au	AgSnO <sub>2</sub> +0,2 µm Au	AgSnO <sub>2</sub> +2 µm Au	Contact material
110	001	004	005	006	Contactset number

All values at ambient temperature  $T_u = 20\text{ °C}$

## Coil table

Coil-No.	Resistance R/Ω	Resistance- tolerance±	$U_1/V$	$U_2/V$	$U_3/V$	$U_{rück}/V$	Printing $U_{nom}/V$
1118	85	7%	4,5	14,6	42	1,2	6
1113	315	8%	8,8	28,0	82	2,3	12
1109	1.300	7%	18,0	57,0	170	4,7	24
1105	4.850	10%	36,1	109,2	330	9,1	48
1084	6.140	10%	40,6	122,6	369	10,1	60
1002	18.855	14%	74,3	212,1	641	17,6	110

$U_1$ : Minimum operating voltage with consideration of coil self heating

$U_2$ : Thermal restricted maximum coil voltage

$U_3$ : Maximum admissible coil voltage to realize a contact gap of > 0.5 mm also at a contact fault

$U_{rück}$ : Releasing voltage

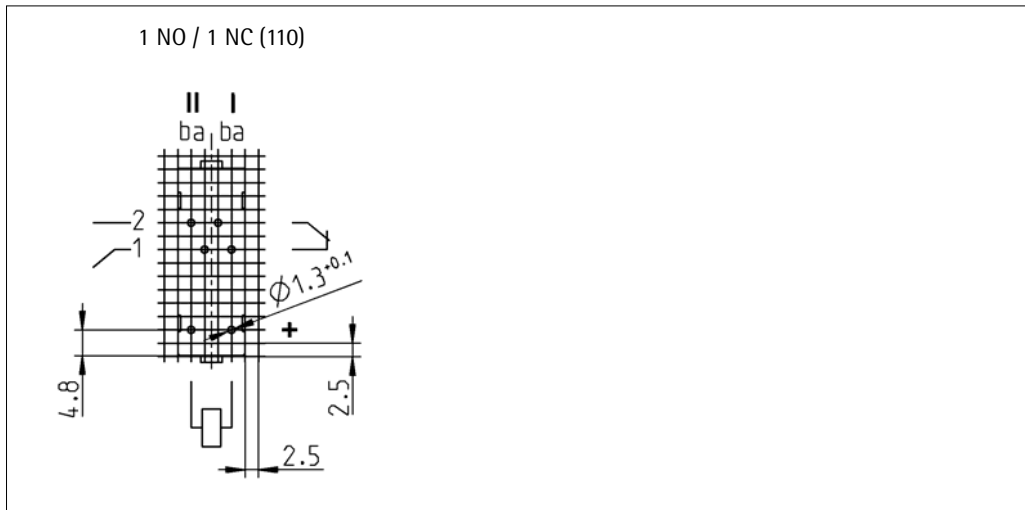
Further coils are possible and available

## Running types

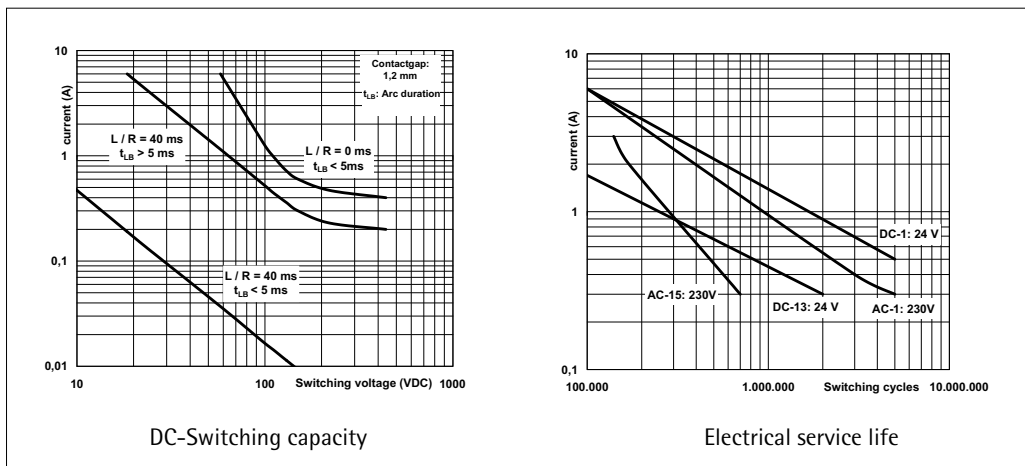
Article-No.	Type key	Printing $U_{nom}$	$U_1/V$	$U_2/V$	$U_3/V$	$U_{rück}/V$
469-1002	HDZ-43469/11-001113-110/001.00	DC 12 V	8,8	28,0	82	2,3
469-1003	HDZ-43469/11-001109-110/001.00	DC 24 V	18,0	57,0	170	4,7
469-1007	HDZ-43469/11-001002-110/001.00	DC 110 V	74,3	212,1	641	17,6
469-1009	HDZ-43469/11-001113-110/004.00	DC 12 V	8,8	28,0	82	2,3
469-1010	HDZ-43469/11-001109-110/004.00	DC 24 V	18,0	57,0	170	4,7
469-1012	HDZ-43469/11-001105-110/004.00	DC 48 V	36,1	109,2	330	9,1
469-1033	HDZ-43469/11-001118-110/005.00	DC 6 V	4,5	14,6	42	1,2
469-1062	HDZ-43469/11-001109-110/001.00	DC 24 V	18,0	57,0	170	4,7

# Safety Relay H-469

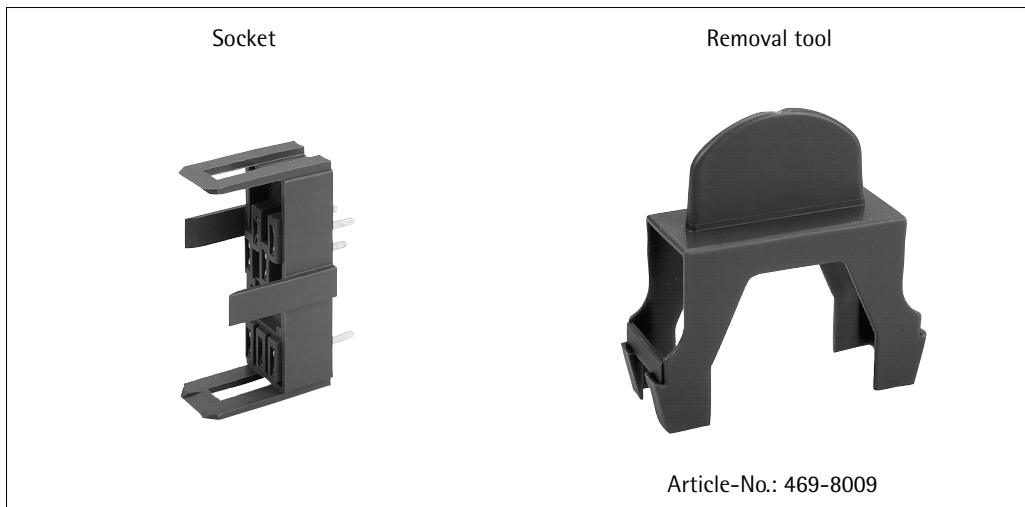
**Connection grid**  
Few on soldering side



## Diagrams



## Accessories



# Safety Relay H-469

## Accessories

