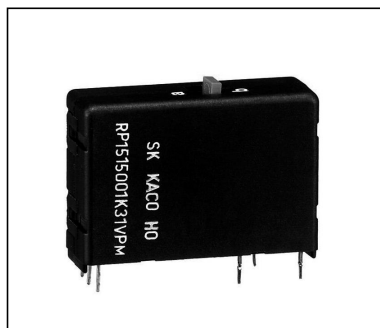


# Bistable Relay K-RP



## General

- 1 CO-contact for max. 20 A
- 2 CO-contact for max. 10 A
- With hand actuation and position indicator
- Upright version
- Customized coil and contact connections
- Define switch position at voltage breakdown
- Ambient temperature -25 ... +70 °C
- Soldering heat resistance 260 °C/5s
- Version with 1 CO-contact, RoHS compliant

## Connections

- Soldering pins for PCB

## Drive

- Direct current, bistable

## Standards

- IEC 61810-1

## Technical Data mechanical

Dimensions L x W x H (in mm)	37,7 x 13 x 28
Shock resistance	100 g, 11 ms Half sinus
Vibration resistance	20 g, 10 - 55 Hz
Operating time	typical 10 ms
Releasing time	typical 10 ms
Mechanical service life (without load)	>10 <sup>6</sup> cycles
Weight	20g

## Technical Data electrical

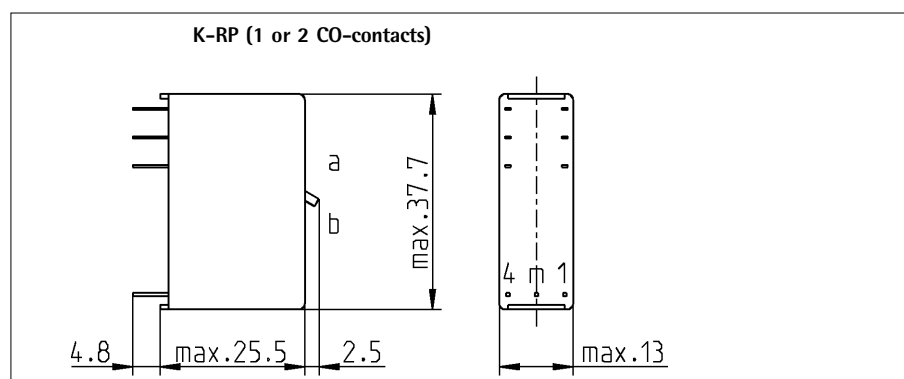
Max. switching capacity	Version with 1 CO-contact
Max. switching current	AC 5.290 VA, DC *W 20 A
Max. switching capacity	Version with 2 CO-contacts
Max. switching current	AC 2.650 VA, DC *W 10 A
Max. switching voltage	AC 230/240 V, DC *V
Electrical service life (with nominal load)	>30.000 cycles (at 20A) >120.000 cycles (at 10 A)
* see DC switching capacity	

## Insulation

Over voltage category (Ü) III	B-I = Basic insulation
Degree of pollution (V) 2	V-I = Reinforced (double) insulation
Insulating material group II	

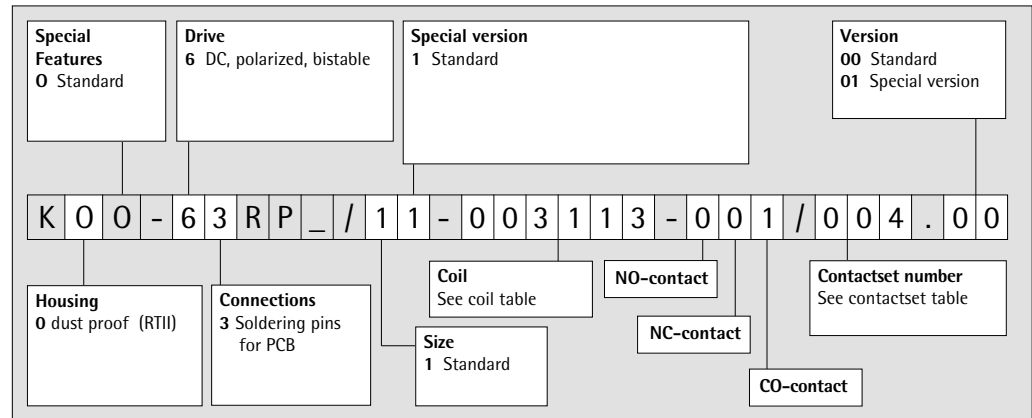
Insulation between	Nominal voltage network system		Air-/creeping distance	Test voltage 50Hz/60s
	AC 120/240 V	AC 230/400 V		
Contact - Contact	V-I	V-I	> 7 mm	AC 3.000 V
Contactset - Drive	V-I	V-I	> 8 mm	AC 4.000 V

## Dimensions



# Bistable Relay K-RP

## Type key



## Contactset table 20 A Version

Number of contacts NO/NC/CO-contact	AgCdO	Contact material
001	004	Contactset Number

## 10 A Version

Number of Contacts NO/NC/CO-contacts	AgCdO	AgNi* + 0,2 µm Au	Contact material
002	006	014	Contactset number

\* For new projects on request

## Coil table 1 Coil

Coil -No.	Resistance R/Ω	U <sub>min</sub> /V	U <sub>max</sub> /V	Printing U <sub>nom</sub> /V
001020	35	3,3	11,5	5
001018	55	4,1	14,5	6
001013	215	7,8	28,6	12
001011	560	10,3	36,5	20
001009	900	16,7	56,9	24
001005	3.500	33,1	112,2	48

Pulse duration: >30ms

## 2 Coils

Coil -No.	Resistance R/Ω	U <sub>min</sub> /V	U <sub>max</sub> /V	Printing U <sub>nom</sub> /V
003020	2 x 16	3,4	7,8	5/5
003018	2 x 25	4,3	9,8	6/6
003113	2 x 105	8,2	20,0	12/12
003111	2 x 270	13,1	32,1	20/20
003209	2 x 430	16,7	40,5	24/24
003105	2 x 1.650	32,5	79,3	48/48

Pulse duration: >30ms

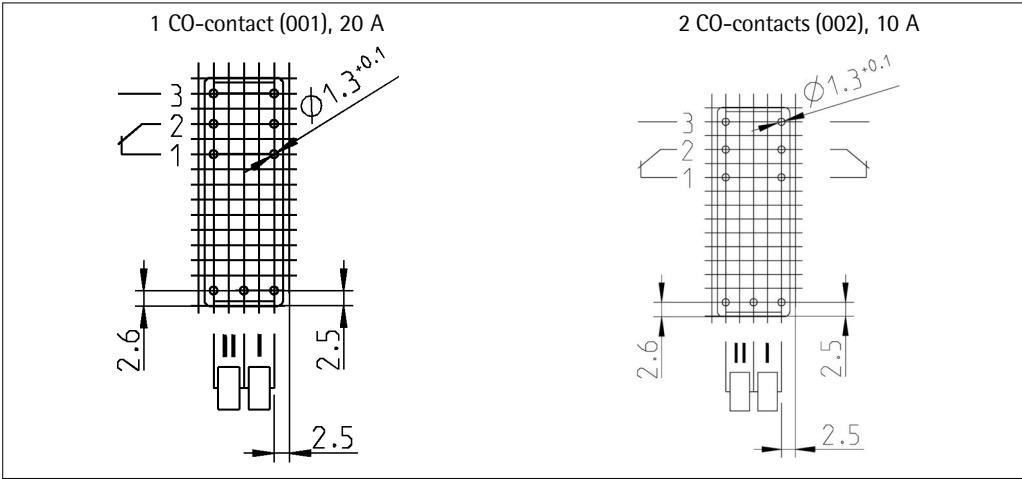
Further coils are possible and available

## Running types

Article-No.	Type key	Printing U <sub>nom</sub>	U <sub>min</sub> /V	U <sub>max</sub> /V
RP_-4125	K00-63RP_/11-003018-002/006.00	DC 6/6 V	4,3	9,8
RP_-4126	K00-63RP_/11-003113-002/006.00	DC 12/12 V	8,2	20,0
RP_-4127	K00-63RP_/11-003209-002/006.00	DC 24/24 V	16,7	40,5
RP_-4858	K00-63RP_/11-003113-001/004.00	DC 12/12 V	8,2	20,0

# Bistable Relay K-RP

**Connection grid**  
Few on soldering side



## Diagrams

