

# Type 225

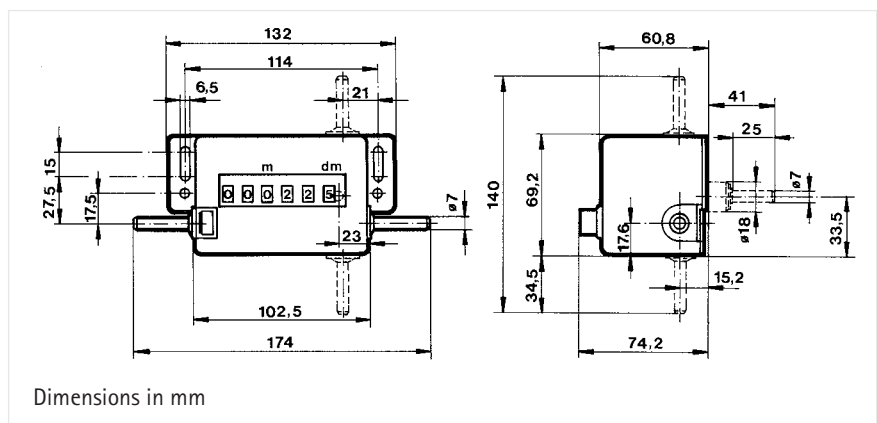


## TECHNICAL DATA

- Approved for length counting by the PTB (German Federal Institute für Physics and Technology)
- 6-digit display
- Large digits, 6.5 mm high
- Button reset
- Counter with suspension device
- Adjustable counterweight
- 6-digit display m/dm or m/cm
- Button reset

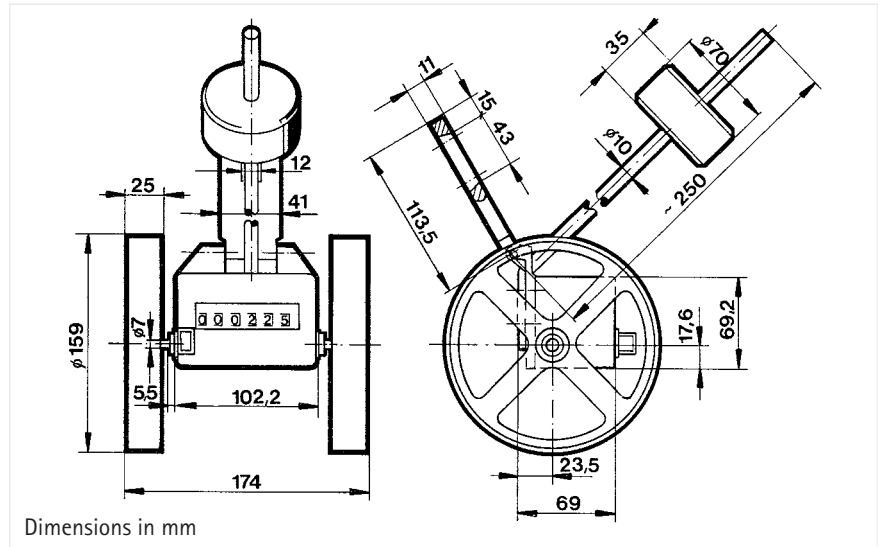
Display	6-digit
Digit height	6.5 mm
Base plate	burnished sheet steel
Case	die-cast metal
Cover	plastic (ASB), grey
Weight	approx. 750 g
	Counter with suspension device and downward weight approx. 2.400 kp. Downward weight can be shifted in order to regulate contact pressure
Counting mode	+ (-), stroke counter: +
Transmission ratio	1:1, length counter 1:5 or 1:50
Max. speed	10000 digits/min, stroke counter 800 strokes/min
Torque	1.2 Ncm, stroke counter 8.0 Ncm
Actuating angle	min. 38°, max. 55° (stroke counter only)
Reset	button reset, secured against unauthorized operation
⚠	Don't push the reset pushbutton during the process

## DIMENSIONS



## DIMENSIONS

Counter with suspension device



## ORDER INFORMATION

Revolution counter

Length counter

Length counter with suspension device

Stroke counter

	Actuation	Sense of rotation	Indication Unit	Trans. ratio 1:1	Trans. ratio 1:5		Trans. ratio 1:50	
				Ord. code	Ord. code	Unit	Ord. code	Unit
		Bz	999 999	0 225 001	-	-	-	-
		Bw	999 999	0 225 002	-	-	-	-
		U	999 999	0 225 101*	-	-	-	-
		G	999 999	0 225 102*	-	-	-	-
		U	999 999	0 225 201*	-	-	-	-
		G	999 999	0 225 202*	-	-	-	-
		Bz	99 999.9 m/dm	-	0 225 003 m/dm	0 225 007 m/cm	-	-
		Bw	99 999.9 m/dm	-	0 225 004 m/dm	0 225 008 m/cm	-	-
		Bz	99 999.9 m/dm	-	0 225 501 m/dm	0 225 505 m/cm	-	-
		Bw	99 999.9 m/dm	-	0 225 502 m/dm	0 225 506 m/cm	-	-
		Bz	999 999	0 225 301	-	-	-	-
		Bw	999 999	0 225 302	-	-	-	-
Stroke lever	Ordering code 0 600 005			For other stroke levers see accessories				
Panel frame	Ordering code 1 250 056			See accessories for description				

\* on request

For measuring wheel see accessories, they are not included in normal delivery