

Plug-in Time Counters for Modular System 400

Type 478

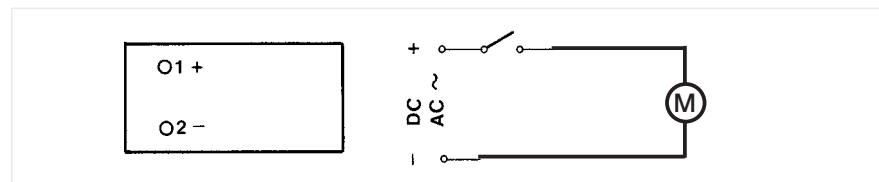


- 6 or 7-digit display
- With or without reset
- Simple installation
- Easy maintenance through plug-in system
- Can be combined with other counters in the modular system 400

TECHNICAL DATA

| | |
|-----------------------------|--|
| Display | 6 or 7-digit, depending on version |
| Counting range | 0 ... 9999.99 h or 0 ... 99999.99 h, depending on version |
| Digit height | 4 mm |
| Supply voltage Vop | acc. to order information, tolerance + 10 % |
| Power consumption | approx. 1 VA |
| Operating temperature | - 10 ... + 50 °C |
| Storage temperature | - 20 ... + 70 °C |
| Protection class (EN 60529) | front IP 40, connections IP 00 |
| Vibrostability | 50 m/s ² acc. to IEC 068-2-6 |
| Shock stability | 600 m/s ² (6 ms) acc. to IEC 068-2-27 |
| General design | according EN 61010-1 |
| Contamination Level | 2 |
| Protection | according to class II |
| Overvoltage category | II |
| Reset | depending on version - manual reset with key or button - without reset |

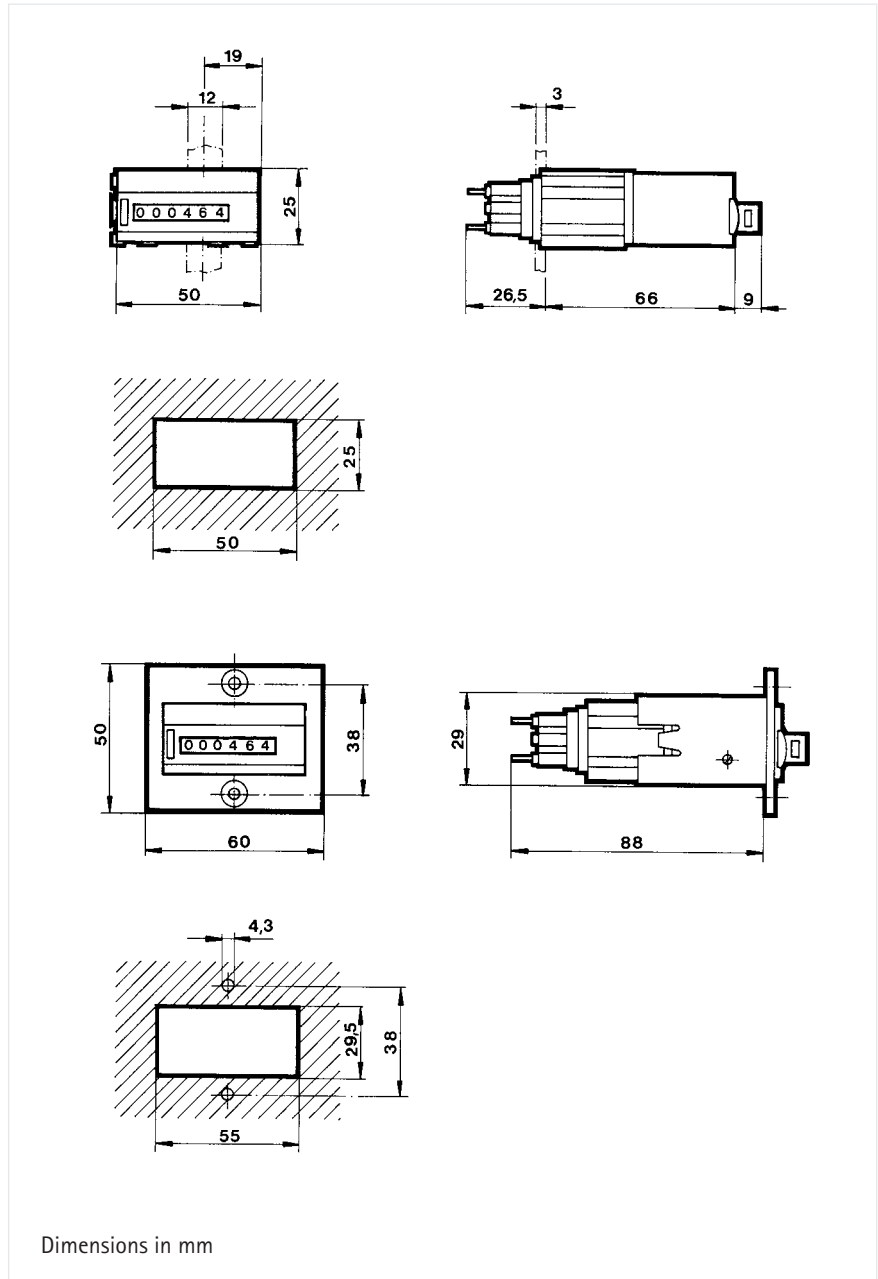
CONNECTION DIAGRAM



Type 478

Technical data

DIMENSIONS



ORDER INFORMATION

Counter

| Voltage | 6-digit with reset | | | 7-digit without reset | | |
|----------|--------------------|-----------|-----------|-----------------------|-----------|-----------|
| | 50 Hz | 60 Hz | DC | 50 Hz | 60 Hz | DC |
| 12 V | - | - | 0 478 160 | - | - | - |
| 24 V | 0 478 101 | - | 0 478 121 | 0 478 111 | 0 478 112 | 0 478 123 |
| 115 V AC | 0 478 103 | 0 478 104 | - | 0 478 113 | 0 478 114 | - |
| 220 V AC | 0 478 105 | 0 478 106 | - | 0 478 115 | 0 478 116 | - |

Inquire for other version

Standard accessories

| | |
|--------------------|---------------------------------------|
| Connection box | Ordering code 1 405 464 |
| Panel frame, black | Ordering code 1 405 491 |
| Key reset system | Ordering code + SR e. g. 0 478 160 SR |
| Case, covers | see "Accessories" |