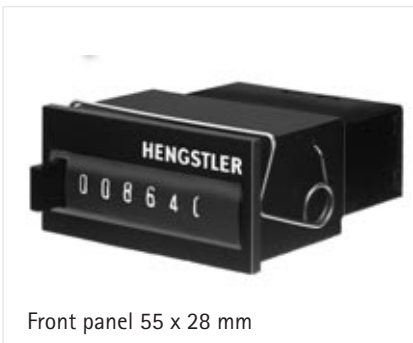


Totalizing Counters Types 864-868 for Front Panel Mounting



Front panel 56 x 40 mm



Front panel 55 x 28 mm

- 6 or 8-digit display
- with manual/electrical reset or without reset
- Simple installation
- Various front panel sizes

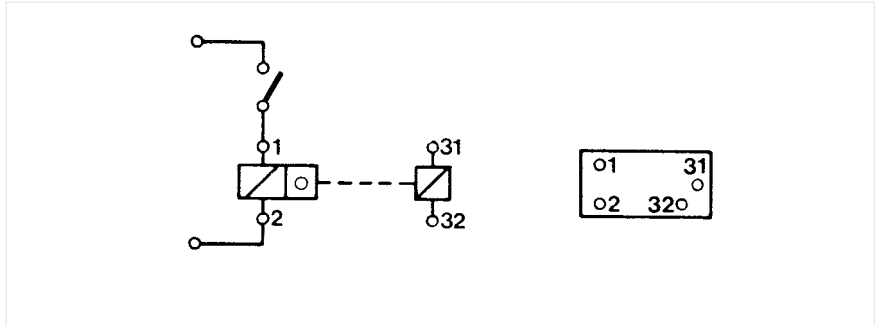
TECHNICAL DATA

Display	6 or 8-digit, depending on version
Digit height	4 mm
Supply voltage V_{op}	according to order information, tolerance $\pm 10\%$ 230 VAC $\pm 6-10\%$
Power consumption	DC counter: counter 2.5 W/VA, reset magnet 12 W/VA AC counter: counter 2.75 W/VA, reset magnet 16 W/VA
Operating temperature	$-10 \dots +50\text{ }^{\circ}\text{C}$
Storage temperature	$-20 \dots +70\text{ }^{\circ}\text{C}$
Protection class (EN 60529)	front IP 40; connections IP 00
Vibrostability	50 m/s ² acc. to IEC 068-2-6
Shock stability	600 m/s ² (6 ms) acc. to IEC 068-2-27
General design	acc. to DIN VDE 0435; contamination level 2 VDE 0110
Maintenance-free operation	counter 2×10^7 , reset magnet 1.5×10^6 pulses
Duty cycle at 25 °C	counter 100 %, reset magnet: DC 20 %, max. 2 min., AC 10 %, max. 1 min.
Weight	approx. 90 g
Approvals	UL: E 41784-8
Count input	adding
Pulse length min.	DC counter: counter 20 ms, reset magnet 200 ms AC counter: counter 50 ms, reset magnet 200 ms
Counting frequency max.	DC counter 25 Hz, reset magnet 1 per s AC counter 10 Hz, reset magnet 1 per 2 s
Pulse duty factor	counter 1:1, reset magnet: DC 1:5, AC 1:10
Reset	depending on version - manual with button or key - electric (version with reset magnet) - without reset

Types 864–868

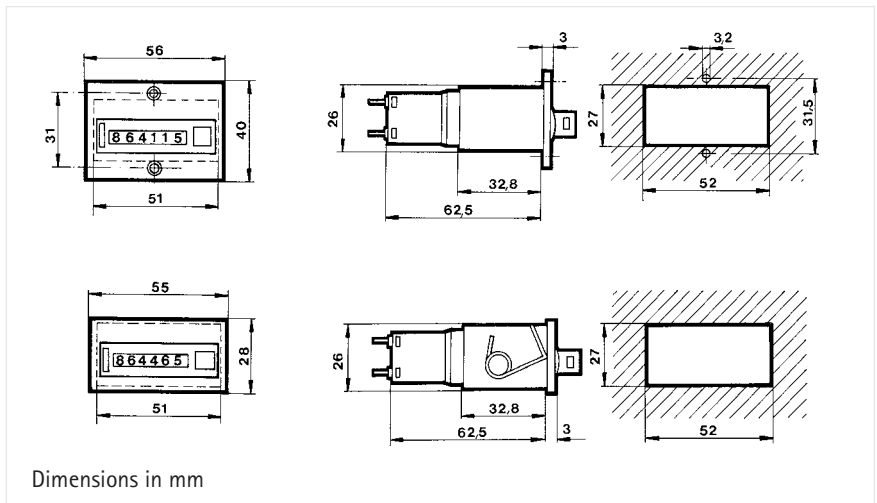
Technical data

CONNECTION DIAGRAM



DIMENSIONS

(Front panel 56 x 40 mm)



(Front panel 55 x 28 mm)

Dimensions in mm

ORDER INFORMATION

Counters for screw attachment
(Front panel 56 x 40 mm)

Voltage	6 digits		8 digits
	Button reset	w/o reset	w/o reset
24 VDC	0 864 165	0 866 165	0 868 165
24 VAC	0 864 186	0 866 186*	0 868 186*
115 VAC	0 864 189	0 866 189	0 868 189
230 VAC	0 864 190	0 866 190	0 868 190

Standard accessory

Key reset system Ordering code + SR e.g. 0 864 165 SR

Counters for spring attachment
(Front panel 55 x 28 mm)

Voltage	6 digits		8 digits
	Button reset	w/o reset	w/o reset
24 VDC	0 864 465	0 866 465	0 868 465
24 VAC	0 864 486*	0 866 486*	0 868 486*
115 VAC	0 864 489	0 866 489*	0 868 489*
230 VAC	0 864 490	0 866 490*	0 868 490

Standard accessory

Key-reset system Ordering code + SR e.g. 0 864 165 SR

* on request
Further voltages available on request.