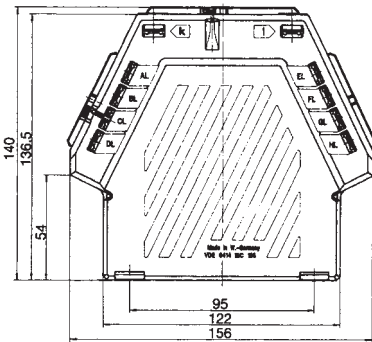
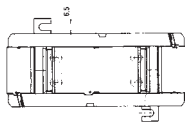
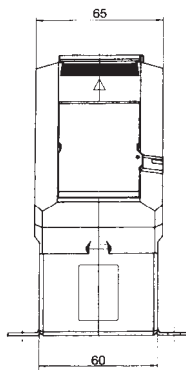




# ESUSK 2...8

## Summation current transformer

Approved current transformer for tariff applications

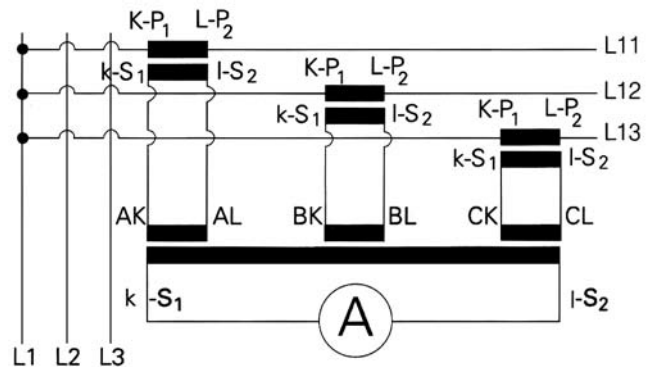


Secondary current			5A	
Type	Primary current A	Burden VA		Accuracy class
				0.2
			Art.-no.	
2	5+5	5	40511	
		10	40512	
3	5+5+5	5	40513	
		10	40514	
4	5+5+5+5	5	40515	
		10	40516	
5	5+5+5+5+5	5	40517	
		10	40518	
6	5+5+5+5+5+5	5	40519	
		10	40529	
7	5+5+5+5+5+5+5	5	40521	
		10	40522	
8	5+5+5+5+5+5+5+5	5	40523	
		10	40524	

Connection example for different ratios:

- AK-AL = 1000/5
- BK-BL = 800/5
- CK-CL = 600/5
- DK-DL = 400/5
- EK-EL = 400/5
- FK-FL = 300/5
- GK-GL = 300/5

Connection diagram



For technical information, see page 112 and 113.

Primary conductor	—
Round conductor	—
Transformer width	65 mm
Transformer depth	156 mm
Snap-on mounting	—
Sealed shutter secondary no.	Art.-no. 59041 (primary) Art.-no. 59042 (secondary) see page 205
Current transformer for industrial applications	see page 115