



MAK 62/20

For currents from 100A to 400A.

Type: ring/busbar

Standards: acc. to BS 3938, EN 60044-1

Technical data:

Class of accuracy: 0.2S...0,5S (see table).

Rated burden: max. 3,75 VA (see table).

Rated voltage: 720 V.

Rated frequency: 50-60 Hz.

Rated sec. current: 5 A

Security factor: **FS 5** FS10

Working temperature range: -20 ... +45°C.

Insulation class: E (max. 120°C)

High voltage test: 4 kV_{eff}, 50 Hz, 1 min.

Protection: IP 00.

Case: non-flammable plastic, UL 94 V-0.



Rated primary current I_n	Acc. class	Type: MAK 62 / 20			
		Busbar hole: 20,5x12.5 mm			
		Rated burden (VA)			
		1,5	2.5	3.75	5
100 A	0,2S	*			
	0,5S	*			
125 A	0,2S	*			
	0,5S	*			
150 A	0,2S	*			
	0,5S	*	*		
200 A	0,2S	*	*		
	0,5S		*	*	
250 A	0,2S	*	*	*	
	0,5S	+	*	*	
300 A	0,2S		*	*	
	0,5S		+	*	
400 A	0,2S		+	+	
	0,5S			+	

* Ni-Fe + Si-Fe

Order specification:

-Ring-type current transformer.

-Class of accuracy: 0,5S

-Rated primary current: 250 A.

-Rated secondary current 5 A

-Rated burden: 2.5 VA

-Busbar dimension: 20X12,5mm.

MAK 62/20 250/5A Cl. 0,5S 2,5VA

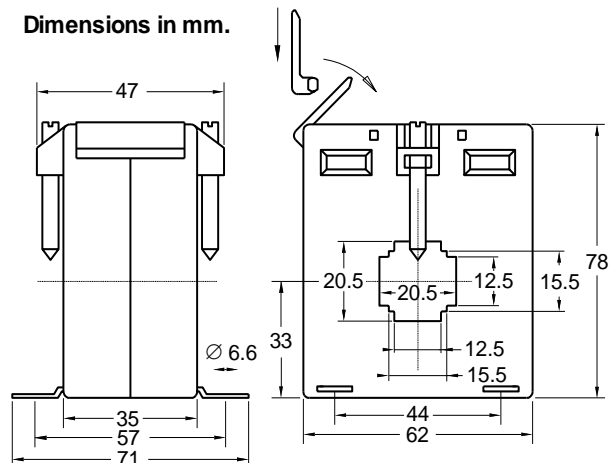
Note:

-On request orders for types different from table are accepted.

-On request order for clip for DIN EN 50 022 rail are accepted.

Cat. No. 12-3044-94.

Dimensions in mm.



Weight: 350-420gr.



MAK 62/30

For currents from 100A to 800A.
 Type: ring/busbar
 Standards: acc. to BS 3938, EN 60044-1.

Technical data:

Class of accuracy: 0.2S...0,5S (see table).
Rated burden: max. 10 VA (see table).
Rated voltage: 720 V.
Rated frequency: 50-60 Hz.
Rated sec. current: 5 A
Security factor: **FS 5** FS10
Working temperature range: -20 ... +45°C.
High voltage test: 4 kV_{eff}, 50 Hz, 1 min.
Insulation class: E (max. 120°C)
Protection: IP 00.
Case: non-flammable plastic, UL 94 V-0.



Rated primary current I_n	Acc. cl.	Type: MAK 62 / 30					
		Busbar hole 31x11 mm (see fig.)					
		Rated burden (VA)					
		1	1.5	2.5	3.75	5	7.5
100 A	0,2S	*					
	0,5S	*					
125 A	0,2S	*					
	0,5S		*				
150 A	0,2S		*				
	0,5S		*				
200 A	0,2S		*				
	0,5S		*				
250 A	0,2S		*	*			
	0,5S		*	*			

Rated primary current I_n	Acc. cl.	Type: MAK 62 / 30						
		Busbar hole 31x11 mm (see fig.)						
		Rated burden (VA)						
		1,5	2,5	3,75	5	7,5	10	15
300 A	0,2S	*						
	0,5S	+	*					
400 A	0,2S		*					
	0,5S		+					
500 A	0,2S		+	+				
	0,5S		+	+				
600 A	0,2S		+	+				
	0,5S		+	+				
750 A	0,2S		+		+			
	0,5S				+	+		
800 A	0,2S				+			
	0,5S				+		+	

* Ni-Fe + Si-Fe

Dimension in mm

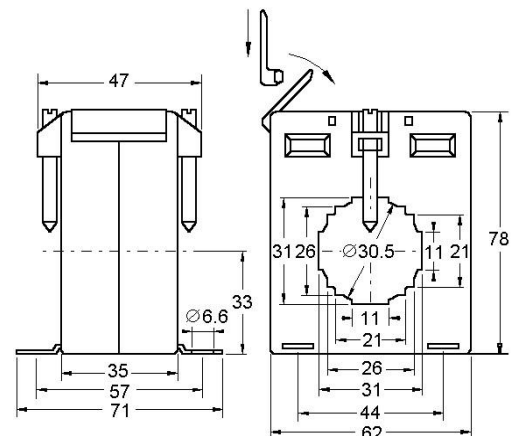
Order specification:

- Ring-type current transformer.
- Class of accuracy: 0.5S
- Rated primary current: 300 A.
- Rated secondary current: 5 A
- Rated burden: 2,5 VA
- Busbar dimension: 30x10 mm.

MAK 62/30 300/5A Cl. 0,5S 2,5VA

Note:

- On request orders for types different from table are accepted.
- On request order for clip for DIN EN 50 022 rail are accepted.
- Cat. No. 12-3044-94.



Weight: 200...380gr



MAK 62/40

For currents from 200A to 750A.
 Type: ring / busbar
 Standards: acc. to BS 3938, EN 60044-1.

Technical data:

Class of accuracy: 0.2S ... 0.5S (see table).
Rated burden: max. 5 VA (see table).
Rated voltage: 720 V.
Rated frequency: 50-60 Hz.
Rated sec. current: 5 A
Security factor: **FS 5**
Working temperature range: -20 ... +45°C.
High voltage test: 4 kV_{eff}, 50 Hz, 1 min.
Insulation class: E (max. 120°C)
Protection: IP 00.
Case: non-flammable plastic, UL 94 V-0.



Rated primary current I_n	Acc. cl.	Type: MAK 62 / 40				
		Busbar hole 40,5x11 mm (see fig.)				
		Rated burden (VA)				
		1	1,5	2,5	3,75	5
200 A	0,2S	*				
	0,5S		*			
250 A	0,2S	*				
	0,5S		*			
300 A	0,2S		*			
	0,5S		+	*		
400 A	0,2S	+		*		
	0,5S				+	

Rated primary current I_n	Acc. cl.	Type: MAK 62 / 40					
		Busbar hole 40,5x11 mm					
		Rated burden (VA)					
		1,5	2,5	3,75	5	7,5	10
500 A	0,2S		+				
	0,5S		+	+			
600 A	0,2S		+	+			
	0,5S		+		+		
750 A	0,2S		+		+		
	0,5S		+		+		

* Ni-Fe + Si-Fe

Order specification:

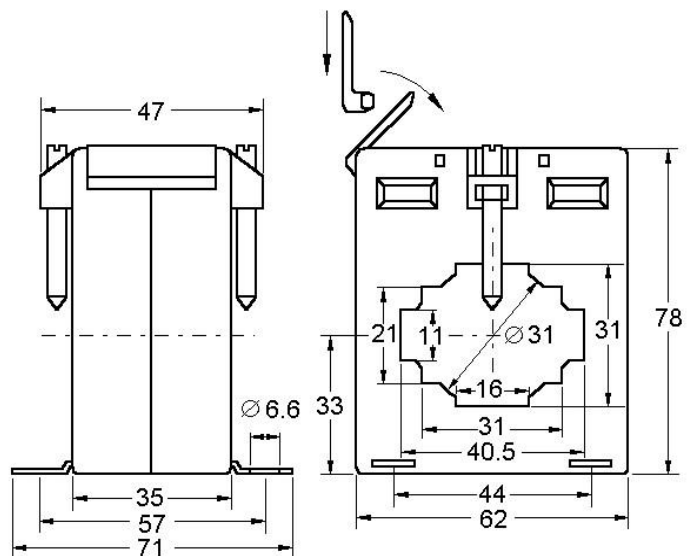
-Ring-type current transformer.
 -Class of accuracy: 0.2S
 -Rated primary current: 600 A.
 -Rated secondary current: 5 A
 -Rated burden: 3,75 VA
 -Busbar dimension: 40x10 mm.

MAK 62/40 600/5A Cl. 0,2S 3,75VA

Note:

On request orders for types different from table are accepted.
 On request order for clip for DIN EN 50 022 rail are accepted.
 Cat. No. 12-3044-94.

Dimension in mm



Weight: 180...250gr

MAK74/20

For currents from 100A to 400A

Type: ring / busbar

Standards: acc. to BS 3938, EN 60044-1.

Technical data:

Class of accuracy: 0.2S...0,5S (see table).

Rated burden: max. 5 VA (see table).

Rated voltage: 720 V.

Rated frequency: 50-60 Hz.

Rated sec. current: 5 A

Security factor: FS 5 FS10

Working temperature range: -20 ... +45°C.

High voltage test: 4 kV_{eff}, 50 Hz, 1 min.

Insulation class: E (max. 120°C)

Protection: IP 00.

Case: non-flammable plastic, UL 94 V-0.



Rated primary I_n	Acc.	Type: MAK 74/20				
		Busbar hole 21x11 mm (see fig)				
		1	1,5	2,5	3,75	5
100 A	0,2S		*			
	0,5S		*			
125 A	0,2S		*	*		
	0,5S		*	*		
150 A	0,2S		*	*		
	0,5S			*		
200 A	0,2S		*	*		
	0,5S		*	*		
250 A	0,2S		*	*		
	0,5S		+	*	*	
300 A	0,2S			*	*	
	0,5S			+	*	
400 A	0,2S	+		*	*	
	0,5S					+

* Ni-Fe + Si-Fe

Dimension in mm

Order specification:

-Ring-type current transformer

-Class of accuracy: 0,2S

-Rated primary current: 300 A.

-Rated secondary current: 5 A.

-Rated burden: 2,5 VA

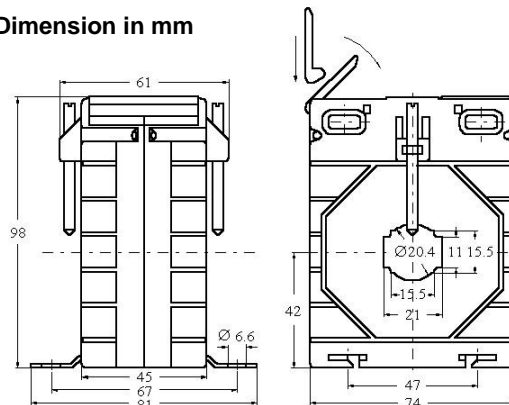
-Busbar dimension: 20x10 mm

MAK 74/20 300/5 A Cl.0,2S 2,5VA

Note:

- request orders for types different from table are accepted.
- request order for clip for DIN EN 50 022 rail are accepted.

Cat. No. 12-3044-94.



Weight: 580...680gr



MAK74/30

For currents from 100 A to 800 A.
Type: ring / busbar
Standards: acc. to BS 3938, EN 60044-1

Technical data:

Class of accuracy: 0,2S ...0,5S (see table).
Rated burden: max. 15 VA (see table).
Rated voltage: 720 V.
Rated frequency: 50-60 Hz.
Rated sec. current: 5 A.
Working temperature range: -20 ... +45°C.
Security factor: FS 5 FS10
High voltage test: 4 kV_{eff}, 50 Hz, 1 min.
Insulation class: E (max. 120°C)
Protection: IP 00.
Case: non-flammable plastic, UL 94 V-0.



Rated primary current I_n	Acc. cl.	Type: MAK 74/30					
		Busbar hole 31x15 mm (see fig.)					
		Rated burden (VA)					
		1	1,5	2,5	3,75	5	7,5
100 A	0,2S	*					
	0,5S	*					
125 A	0,2S		*				
	0,5S		*	*			
150 A	0,2S		*	*			
	0,5S			*			
200 A	0,2S		*	*			
	0,5S		*	*			
250 A	0,2S		*	*			
	0,5S		+	+			

Rated primary current I_n	Ac. cl.	Type: MAK 74/30							
		Busbar hole 31x15 mm (see fig.)							
		Rated burden (VA)							
		1	1,5	2,5	3,75	5	7,5	10	15
300 A	0,2S	+	*						
	0,5S			+					
400 A	0,2S			*					
	0,5S				+				
500 A	0,2S				+				
	0,5S				+	+			
600 A	0,2S					+			
	0,5S					+			
750 A	0,2S					+	+		
	0,5S					+	+	+	
800 A	0,2S					+		+	
	0,5S					+		+	+

* Ni-Fe + Si-Fe

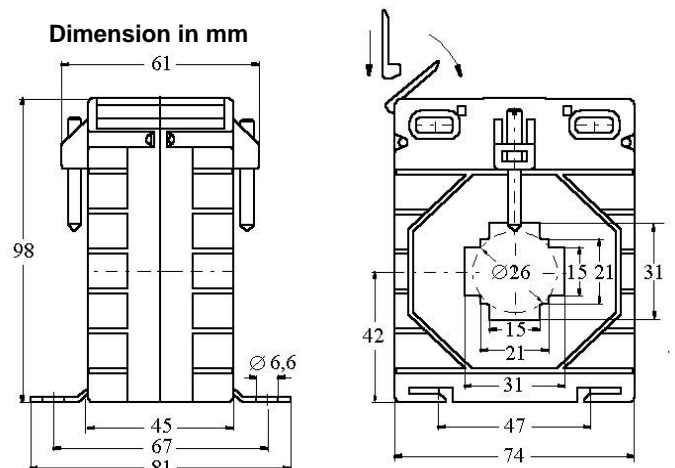
Order specification:

-Ring-type current transformer
-Class of accuracy: 0,5S
-Rated primary current: 300 A.
-Rated secondary current: 5 A.
-Rated burden: 2,5 VA
-Busbar dimension 30x15 mm

MAK 74/30 300/5 A Cl.0,5S 2,5VA

Note:

-On request orders for types different from table are accepted.
-On request order for clip for DIN EN 50 022 rail are accepted.
Cat. No. 12-3044-94.





MAK74/40

For currents from 200A to 1000A
 Type: ring / busbar
 Standards: acc. to BS 3938, EN 60044-1

Technical data:

Class of accuracy: 0,2S 0,5S (see table).
Rated burden: max. 15 VA (see table).
Rated voltage: 720 V.
Rated frequency: 50-60 Hz.
Rated sec. current: 5 A.
Security factor: FS 5 FS10
Working temperature range: -20 ... +45°C.
High voltage test: 4 kV_{eff}, 50 Hz, 1 min.
Insulation class: E (max. 120°C)
Protection: IP 00.
Case: non-flammable plastic, UL 94 V-0.



Rated primary current I_n	Acc. cl.	Type: MAK 74/40				
		Busbar hole 41x12,5 mm				
		Rated burden (VA)				
		1	1,5	2,5	3,75	5
200 A	0,2S		*	*		
	0,5S		*	*		
250 A	0,2S			*		
	0,5S		*	*		
300 A	0,2S		*	*		
	0,5S		+	*		
400 A	0,2S	+		*		
	0,5S			+	*	

Rated primary current I_n	Acc. cl.	Type: MAK 74/40								
		Busbar hole 41x12,5 mm (see fig.)								
		Rated burden (VA)								
		1,5	2,5	3,75	5	7,5	10	12,5	15	
500 A	0,2S		+							
	0,5S			+						
600 A	0,2S		+		+					
	0,5S			+	+					
750 A	0,2S				+					
	0,5S				+	+				
800 A	0,2S				+	+				
	0,5S				+		+		+	
1000 A	0,2S				+		+			
	0,5S				+		+	+	+	

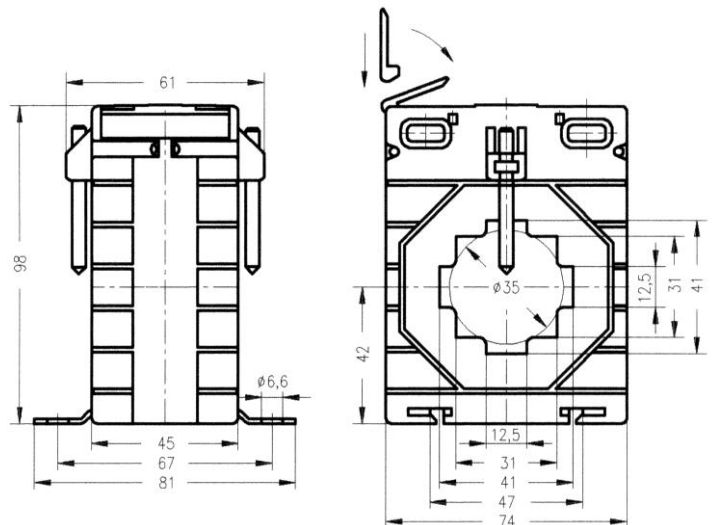
* Ni-Fe + Si-Fe

Order specification:

- Ring-type current transformer
- Class of accuracy: 0,5S
- Rated primary current: 500 A.
- Rated secondary current: 5 A.
- Rated burden: 3,75 VA
- Busbar dimension: 40x12,5 mm

MAK 74/40 500/5 A Cl. 0,5S 3,75VA

Note: -On request orders for types different from table are accepted.
 -On request order for clip for DIN EN 50 022 rail are accepted.
 Cat. No. 12-3044-94.



Weight:400...500gr



MAK74/50

For currents from 250 A to 1000 A.
 Type: ring / busbar
 Standards: acc. to BS 3938, EN 60044-1

Technical data:

Class of accuracy: 0.2S ... 0.5S (see table).
Rated burden: max. 15 VA (see table).
Rated voltage: 720 V.
Rated frequency: 50-60 Hz.
Rated sec. current: 5 A.
Security factor: FS 5 FS10
Working temperature range: -20 ... +45°C.
High voltage test: 4 kV_{eff}, 50 Hz, 1 min.
Insulation class: E (max. 120°C)
Protection: IP 00.
Case: non-flammable plastic, UL 94 V-0



Rated primary current I_n	Acc. class	Type: MAK 74/50								
		Max. busbar hole 51x12,5 mm (see fig)								
		Rated Burden [VA]								
		1	1.5	2.5	3.75	5	7.5	10	12.5	15
250 A	0,2S		*							
	0,5S		*							
300 A	0,2S		*							
	0,5S	+	*	*						
400 A	0,2S	+	*							
	0,5S			+						
500 A	0,2S			+						
	0,5S				+					
600 A	0,2S			+		+				
	0,5S				+	+				
750 A	0,2S					+				
	0,5S				+	+	+			
800 A	0,2S					+				
	0,5S					+		+		
1000 A	0,2S					+				
	0,5S					+		+		+

* Ni-Fe + Si-Fe

Order specification:

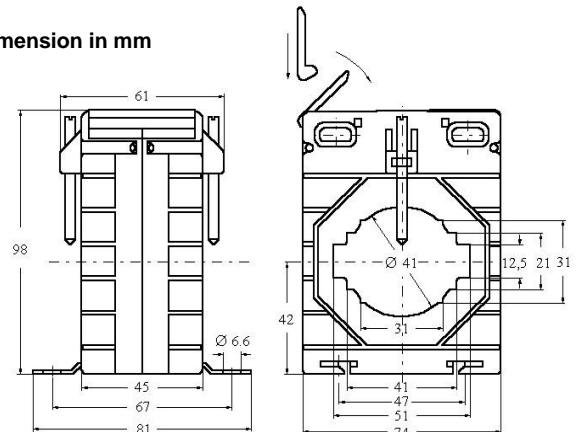
- Ring-type current transformer
- Class of accuracy: 0,5S
- Rated primary current: 400 A.
- Rated secondary current: 5 A.
- Rated burden: 2,5 VA
- Busbar dimension 50x12,5 mm or Ø41

MAK 74/50 400/5 A Cl. 0,5S 2,5VA

Note:

- On request orders for types different from table are accepted.
 - On request order for clip for DIN EN 50 022 rail are accepted.
- Cat. No. 12-3044-94.

Dimension in mm



MAK 86/60

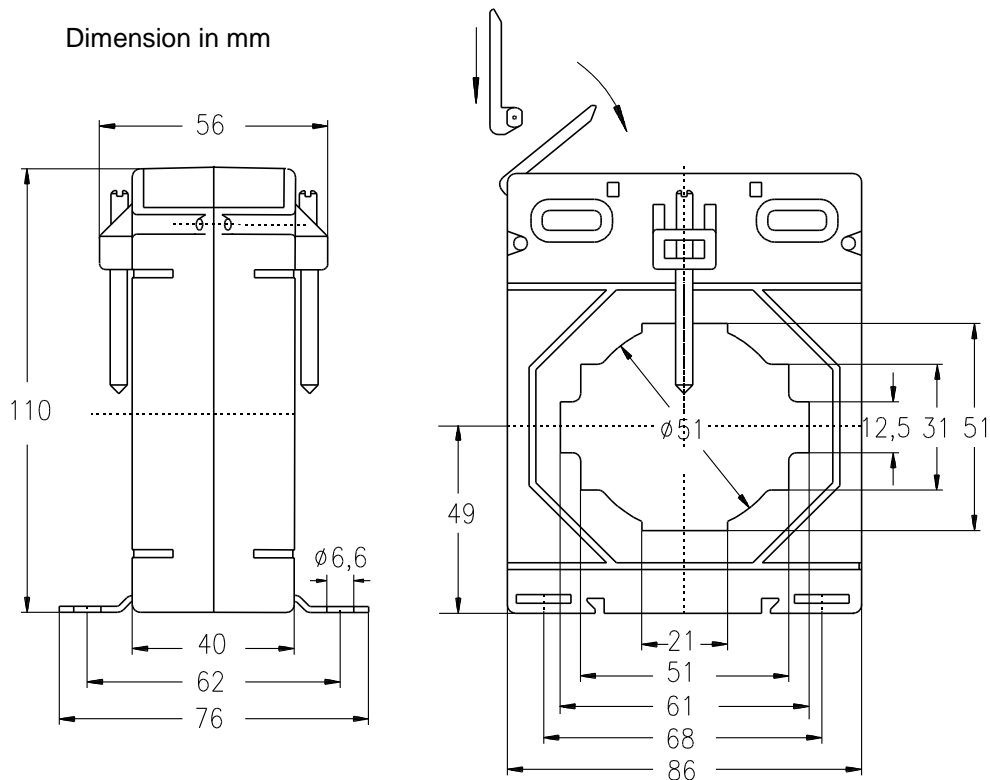
For currents from 300 A to 1600 A.
 Type: ring / busbar
 Standards: acc. to BS 3938, EN 60044-1

Technical data:

Class of accuracy: 0.2S...0.5S (see table).
Rated burden: max. 15 VA (see table).
Rated voltage: 720 V.
Rated frequency: 50-60 Hz.
Rated sec. current: 5 A.
Security factor: FS5 FS10
Working temperature range: -20 ... +45°C.
High voltage test: 4 kV_{eff}, 50 Hz, 1 min.
Insulation class: E (max. 120°C)
Protection: IP 00.
Case: made of non-flammable plastic, UL 94 V-0.



Outline drawing of MAK 86/60



Weight: 460...560gr

Different types of MAK 86/60 current transformers see table on next page



CURRENT TRANSFORMERS



Table with different types of MAK 86/60 current transformers.

Rated Primary Current I_n	Acc. class	Type: MAK 86/60									
		Busbar hole dimensions: 61x12,5 mm (see outline drawing)									
		Rated Burden (VA)									
		1	1,5	2.5	3.75	5	7.5	10	12.5	15	20
300 A	0,2S		*	*							
	0,5S		+								
400 A	0,2S		+		*						
	0,5S			+							
500 A	0,2S			+							
	0,5S				+	+					
600 A	0,2S			+	+						
	0,5S					+	+				
750 A	0,2S					+					
	0,5S					+		+			
800 A	0,2S					+	+				
	0,5S					+		+		+	
1000 A	0,2S					+		+			
	0,5S					+		+		+	
1200 A	0,2S					+		+			
	0,5S					+		+		+	
1250 A	0,2S					+		+			
	0,5S					+		+		+	
1500 A	0,2S					+		+			
	0,5S					+		+		+	
1600 A	0,2S					+		+			
	0,5S					+		+		+	

* Ni-Fe

+ Si-Fe

Order specification:

- Ring-type current transformer.
- Class of accuracy: 0.2S
- Rated primary current: 1000 A.
- Rated secondary current 5 A
- Rated burden: 10 VA
- Busbar dimension: 60x12,5 mm or \varnothing 50 mm

MAK 86/60	1000/5 A	Cl. 0,2S	10VA
-----------	----------	----------	------

Note: on request orders for types different from table are accepted.

On request order for clip for DIN EN 50 022 rail are accepted.
On request order for clip for DIN EN 50 022 rail are accepted.
Cat. No. 12-3044-94.

MAK 104/80

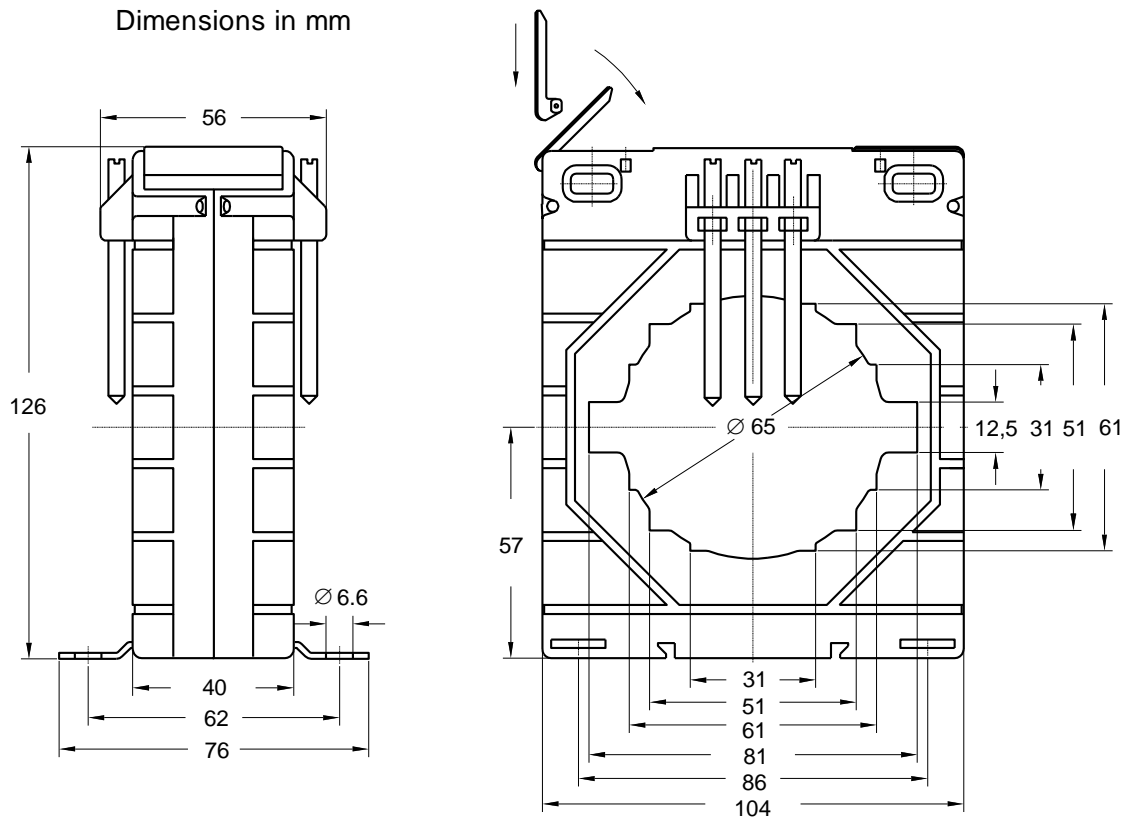
For currents from 600 A to 2000A
 Type: ring / busbar
 Standards: acc. to BS 3938, EN 60044-1

Technical data:

Class of accuracy: 0.2S ... 0,5S (see table).
Rated burden: max. 20 VA (see table).
Rated voltage: 720 V.
Rated frequency: 50-60 Hz.
Rated sec. current: 5 A .
Security factor: FS 5 FS10
Working temperature range: -20 ... +45°C.
High voltage test: 4 kV_{eff}, 50 Hz, 1 min.
Insulation class: E (max. 120°C)
Protection: IP 00.
Case: non-flammable plastic, UL 94 V-0.



Outline drawing of MAK104/80



Weight: 580...650gr

Different types of MAK104/80 current transformers see table on next page



CURRENT TRANSFORMERS



Table with different types of MAK 104/80 current transformers.

Rated primary current	Acc. class	Type: MAK 104/80								
		Max. busbar hole dimension: 81x12.5 mm or Ø65 mm (see outline drawing)								
		Rated burden (VA)								
I_n		1.5	2.5	3.75	5	7.5	10	12.5	15	20
400 A	0,2S									
	0,5S			+						
500 A	0,2S	+								
	0,5S				+					
600 A	0,2S									
	0,5S				+					
750 A	0,2S		+		+					
	0,5S				+	+				
800 A	0,2S			+	+					
	0,5S				+		+			
1000 A	0,2S				+	+				
	0,5S				+		+			
1200 A	0,2S				+					
	0,5S				+		+			
1250 A	0,2S				+					
	0,5S				+		+		+	
1500 A	0,2S				+					
	0,5S				+		+		+	
1600 A	0,2S				+					
	0,5S				+		+		+	
2000 A	0,2S				+					
	0,5S				+		+		+	+

* Ni-Fe

+ Si-Fe

Order specification

- Ring-type current transformer
- Class of accuracy: 0.5S
- Rated primary current: 2000 A.
- Rated secondary current: 5 A.
- Rated burden: 15 VA
- Busbar dimension: 80x12,5 mm or Ø 65mm

MAK 104/80	2000/5 A	Cl. 0,5S	15VA
------------	----------	----------	------

Note:

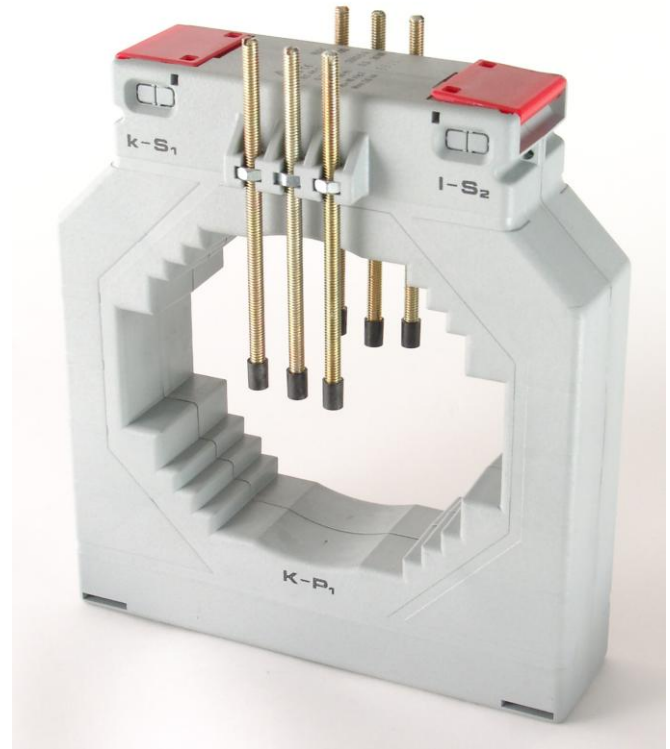
On request orders for types different from table are accepted.
On request order for clip for DIN EN 50 022 rail are accepted.
Cat. No. **12-3044-94**

MAK 140/100h

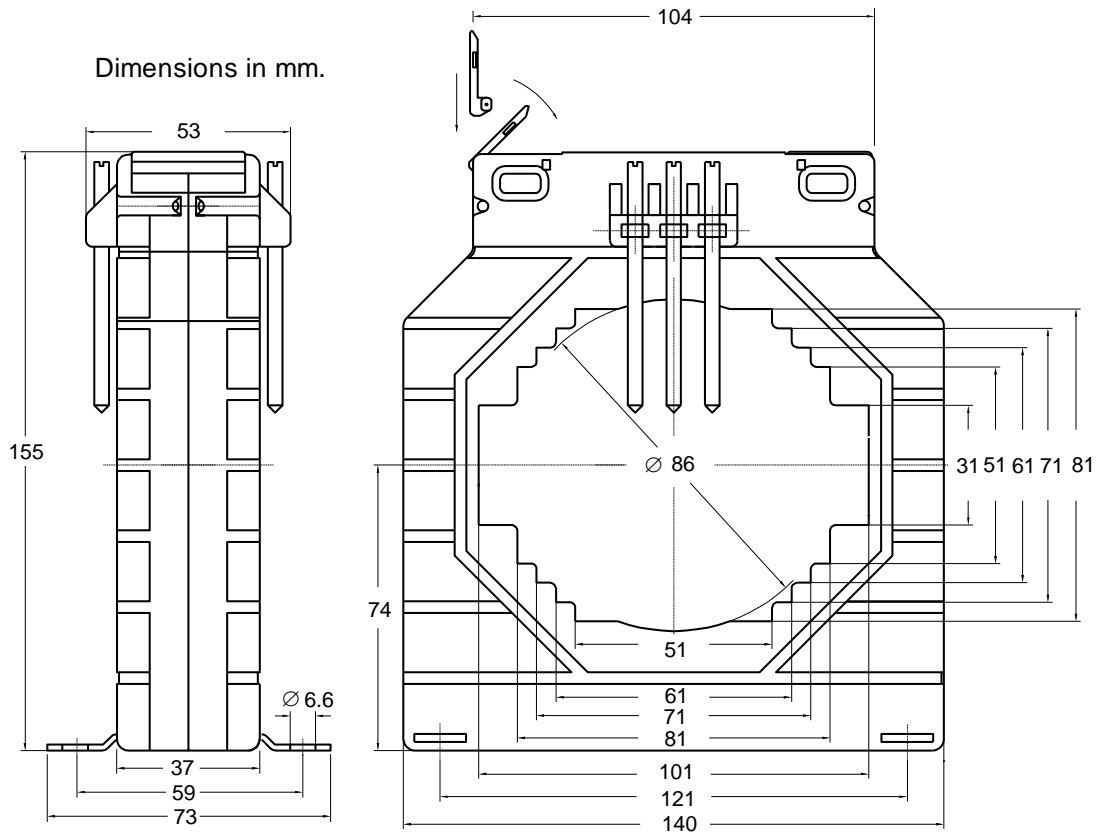
For currents from 500 A to 3000 A
 Type: ring / busbar
 Standards: acc. to BS 3938, EN 60044-1

Technical data:

Class of accuracy: 0,2S ... 0,5S (see table).
Rated burden: max. 20 VA (see table).
Rated voltage: 720 V.
Rated frequency: 50-60 Hz.
Rated sec. current: 5 A.
Security factor: FS 5 FS10
Working temperature range: -20 ... +45°C.
High voltage test: 4 kV_{eff}, 50 Hz, 1 min.
Insulation class: E (max. 120°C)
Protection: IP 00.
Case: non-flammable plastic, UL 94 V-0.



Outline drawing of MAK140/100h



Weight: 900...1100gr

Different types of MAK140/100h current transformers see table on next page



CURRENT TRANSFORMERS



Table with different types of MAK140/100h current transformers.

Rated primary current	Acc. class	Type: MAK 140/100h								
		Max. busbar hole dimension: 101x31 mm or Ø 86 mm (see outline drawing)								
		Rated burden (VA)								
I_n		1.5	2.5	3.75	5	7.5	10	12.5	15	20
400 A	0,2S									
	0,5S		+							
500 A	0,2S		+							
	0,5S			+						
600 A	0,2S			+						
	0,5S			+	+					
750 A	0,2S				+					
	0,5S				+					
800 A	0,2S				+					
	0,5S				+					
1000 A	0,2S				+		+			
	0,5S				+		+			
1200 A	0,2S				+		+			
	0,5S				+		+		+	
1250 A	0,2S				+		+			
	0,5S				+		+		+	
1500 A	0,2S				+		+			
	0,5S				+		+		+	
1600 A	0,2S				+		+			
	0,5S				+		+		+	
2000 A	0,2S				+		+			
	0,5S				+		+		+	
2500 A	0,2S				+		+			
	0,5S				+		+		+	+
3000 A	0,2S				+		+			
	0,5S				+		+		+	+

+ Si-Fe

Order specification:

- Ring-type current transformer.
- Class of accuracy: 0.5S
- Rated primary current: 2500 A.
- Rated secondary current: 5 A.
- Rated burden: 20 VA
- Busbar dimension: 2x100x10 mm or Ø 86 mm

MAK 140/100h	2500/5 A	Cl. 0,5S	20VA
--------------	----------	----------	------

Note:

On request orders for types different from table are accepted.