



## MAK 62/W

For currents from 1 A to 25 A  
 Type: primary winding  
 Standards: acc. to BS 3938, EN 60044-1

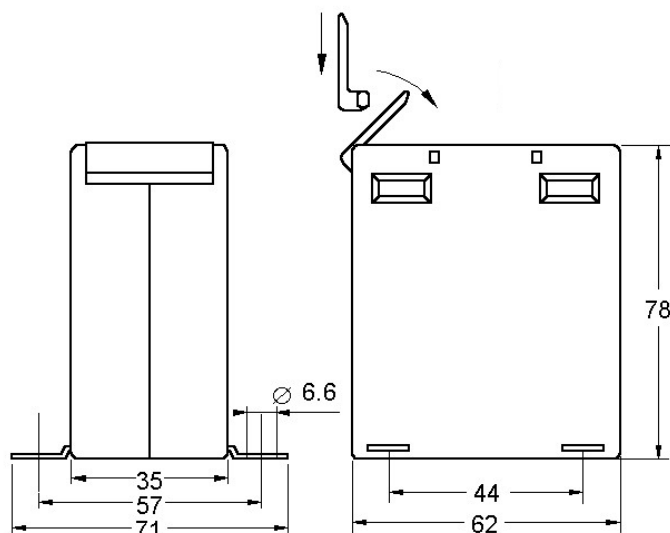
### Technical data:

**Class of accuracy:** 0.2S ... 0.5S (see table).  
**Rated burden:** max. 7,5 VA (see table).  
**Rated voltage:** 720 V.  
**Rated frequency:** 50-60 Hz.  
**Rated sec. current:** 5 A  
**Security factor:** FS 5 FS10  
**Working temperature range:** -20 ... +45°C.  
**Insulation class:** E (max. 120°C)  
**High voltage test:** 4 kV<sub>eff</sub>, 50 Hz, 1 min.  
**Protection:** IP 00.  
**Case:** non-flammable plastic, UL 94 V-0.



Rated primary current $I_n$	Acc. class	Type: MAK 62 / W		
		Rated burden (VA)		
		1,5	5	7,5
1 A	0,2S	+		
	0,5S		+	+
2.5 A	0,2S	+		
	0,5S		+	+
5 A	0,2S	+		
	0,5S		+	+
7.5 A	0,2S	+		
	0,5S		+	+
10 A	0,2S	+		
	0,5S		+	+
15 A	0,2S	+		
	0,5S		+	+
20 A	0,2S	+		
	0,5S		+	+
25 A	0,2S	+		
	0,5S		+	+

Dimensions in mm



Primary terminal screw  
M4

+ Si-Fe

Weight: 350...400gr

### Order specification:

- Current transformer with primary winding
- Class of accuracy: 0,5S
- Rated primary current: 15 A
- Rated secondary current: 5 A
- Rated burden: 5 VA

MAK 62/W	15/5A	Cl. 0,5S	5VA
----------	-------	----------	-----

### Note:

- On request orders for types different from table are accepted.
  - On request order for clip for DIN EN 50 022 rail are accepted.
- Cat. No. **12-3044-94**



## MAK 62/WS

For currents from 1 A to 150 A

Type: primary winding

Standard: acc. to BS 3938, EN 60044-1

**Technical data:**

**Class of accuracy:** 0.2S ... 0.5S (see table).

**Rated burden:** max. 7.5 VA (see table)

**Rated voltage:** 720 V.

**Rated frequency:** 50-60 Hz.

**Rated sec. current:** 5 A

**Security factor:** FS 5 FS10

**Working temperature range:** -20 ... +45°C.

**Insulation class:** E (max. 120°C)

**High voltage test:** 4 kV<sub>eff</sub>, 50 Hz, 1 min.

**Protection:** IP 00.

**Primary connection:** with M8 screw.

**Case:** non-flammable plastic, UL 94 V-0.



Rated primary current $I_n$	Acc. class	Type: MAK 62 / WS		
		Rated burden (VA)		
		1,5	5	7,5
1 A	0.2S	+		
	0.5S		+	+
2,5 A	0.2S	+		
	0.5S		+	+
5 A	0.2S	+		
	0.5S		+	+
7,5 A	0.2S	+		
	0.5S		+	+
10 A	0.2S	+		
	0.5S		+	+
15 A	0.2S	+		
	0.5S		+	+
20 A	0.2S	+		
	0.5S		+	+
25 A	0.2S	+		
	0.5S		+	+
30 A	0.2S	+		
	0.5S		+	+

Rated primary current $I_n$	Acc. class	Type: MAK 62 / WS		
		Rated burden (VA)		
		1,5	5	7,5
40 A	0.2S	+		
	0.5S		+	+
50 A	0.2S	+		
	0.5S		+	+
60 A	0.2S	+		
	0.5S		+	+
75 A	0.2S	+		
	0.5S		+	+
80 A	0.2S	+		
	0.5S		+	+
100 A	0.2S	+		
	0.5S		+	+
125 A	0.2S	+		
	0.5S		+	+
150 A	0.2S	+		
	0.5S		+	+

+ Si-Fe

**Order specification:**

-Current transformer with primary winding.

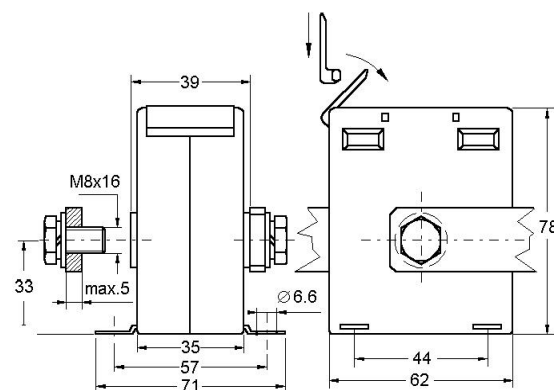
-Class of accuracy: 0.5S

-Rated primary current: 75 A.

-Rated secondary current: 5 A.

-Rated burden: 5 VA

**MAK 62/WS 75/5 A Cl. 0,5S 5VA**



**Note:**

-On request orders for types different from table are accepted.

-On request order for clip for DIN EN 50 022 rail are accepted.

Cat. No. 12-3044-94.



## MAK 74/W

For currents from 1 A to 50 A

Type: primary winding

standards: acc. to BS 3938, EN 60044-1 and DIN 42600

### Technical data:

**Class of accuracy:** 0.2S ... 0.5S (see table).  
**Rated burden:** max. 7,5 VA (see table).  
**Rated voltage:** 720 V.  
**Rated frequency:** 50-60 Hz.  
**Rated sec. current:** 5 A.  
**Security factor:** FS 5 FS10  
**Working temperature range:** -20 ... +45°C.  
**High voltage test:** 4 kV<sub>eff</sub>, 50 Hz, 1 min.  
**Insulation class:** E (max. 120°C)  
**Protection:** IP 00.  
**Case:** non-flammable plastic, UL 94 V-0.



Rated primary current $I_n$	Acc. class	Type: MAK 74 / W		
		Rated burden (VA)		
		1,5	5	7,5
1 A	0.2S	+		
	0.5S		+	+
2,5 A	0.2S	+		
	0.5		+	+
5 A	0.2S	+		
	0.5S		+	+
7,5 A	0.2S	+		
	0.5S		+	+
10 A	0.2S	+		
	0.5S		+	+
15 A	0.2S	+		
	0.5S		+	+

Rated primary current $I_n$	Acc. class	Type: MAK 74 / W		
		Rated burden (VA)		
		1,5	5	7,5
20 A	0.2S	+		
	0.5S		+	+
25 A	0.2S	+		
	0.5S		+	+
30 A	0.2S	+		
	0.5S		+	+
40 A	0.2S	+		
	0.5S		+	+
50 A	0.2S	+		
	0.5S		+	+

+ Si-Fe

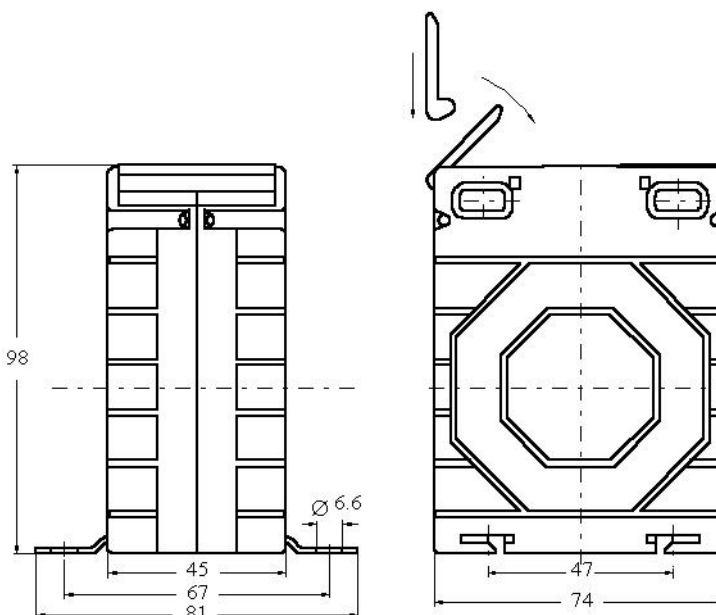
### Order specification:

- Ring-type current transformer
- Class of accuracy: 0,5S
- Rated primary current: 25 A.
- Rated secondary current: 5 A.
- Rated burden: 7,5 VA

**MAK 74/W 25/5A Cl. 0,5S 7,5VA**

### Note:

- On request orders for types different from table are accepted
- On request order for clip for DIN EN 50 022 rail are accepted
- Cat. No. 12-3044-94



**Weight:** 385 ... 440 gr

## MAK 74/WS

For currents from 1 A to 250 A  
The current transformers are made according to BS 3938, EN 60044-1

### Technical data

**Class of accuracy:** 0.2S...0,5S (see table).  
**Rated burden:** max. 7,5 VA (see table).  
**Rated voltage:** 720 V.  
**Rated frequency:** 50-60 Hz.  
**Rated sec. current:** 5 A (or 1 A on request).  
**Security factor:** FS 5 FS10  
**Working temperature range:** -20 ... +45 °C.  
**Insulation class:** E (max. 120°C)  
**High voltage test:** 4kV<sub>eff</sub>, 50 Hz, 1 min.  
**Protection:** IP 00.  
**Case:** non-flammable plastic, UL 94 V-0



Rated primary current $I_n$	Acc. class	Type: MAK 74 / WS		
		Rated burden (VA)		
		1,5	5	7,5
1 A	0.2S	+		
	0.5S		+	+
2,5 A	0.2S	+		
	0.5S		+	+
5 A	0.2S	+		
	0.5S		+	+
7,5 A	0.2S	+		
	0.5S		+	+
10 A	0.2S	+		
	0.5S		+	+
15 A	0.2S	+		
	0.5S		+	+
20 A	0.2S	+		
	0.5S		+	+
25 A	0.2S	+		
	0.5S		+	+
30 A	0.2S	+		
	0.5S		+	+

+ Si-Fe

Rated primary current $I_n$	Acc. class	Type: MAK 74 / WS		
		Rated burden (VA)		
		1,5	5	7,5
40 A	0.2S	+		
	0.5S		+	+
50 A	0.2S	+		
	0.5S		+	+
60 A	0.2S	+		
	0.5S		+	+
75 A	0.2S	+		
	0.5S		+	+
80 A	0.2S	+		
	0.5S		+	+
100 A	0.2S	+		
	0.5S		+	+
125 A	0.2S	+		
	0.5S		+	+
150 A	0.2S	+		
	0.5S		+	+
200	0.2S	+		
	0.5S		+	+
250	0.2S	+		
	0.5S		+	+

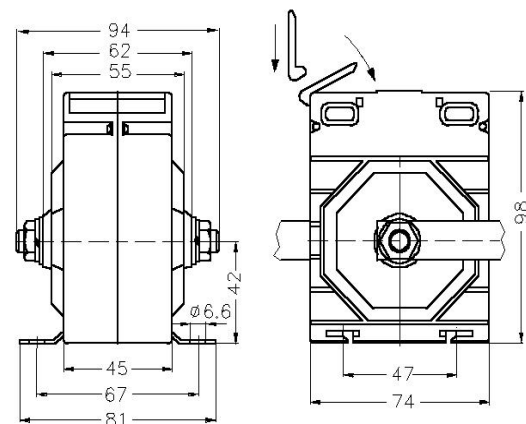
### Order specification:

- Current transformer with primary winding
- Class of accuracy: 0,5S
- Rated primary current: 200 A.
- Rated secondary current: 5 A.
- Rated burden: 7,5 VA

**MAK 74/WS 200/5 A Cl.0,5S 7,5 VA**

### Note:

- On request orders for types different from table are accepted.
  - On request order for clip for DIN EN 50 022 rail are accepted.
- Cat. No. 12-3044-94.



Weight: 520 .... 600 gr