

High Voltage Relay H-509



Technical Data mechanical

General

- 1 NO-contact or 1 NC-contact
- Max. switching voltage 5 kVeff
- Contactset ceramic insulation
- Fixing with M4 screws
- Ambient temperature -25 ... +70 °C
- RoHS compliance

Connections

- Faston plug 4,8 x 0,8 mm, DIN 46244

Drive

- Direct current, monostable

Standards

- IEC 61810-1

Dimensions	L x W x H (in mm)	1 x NO-contact	72 x 42 x 43
		1 x NC-contact	72 x 42 x 52
Shock resistance			3 g, 11 ms Half sinus
Vibration resistance			3 g, 10 – 55 Hz
Operating time			typical 40 ms
Releasing time			typical 10 ms
Mechanical service life (without load)			> 3 x 10 ⁶ cycles
Weight			150 g

Technical Data electrical

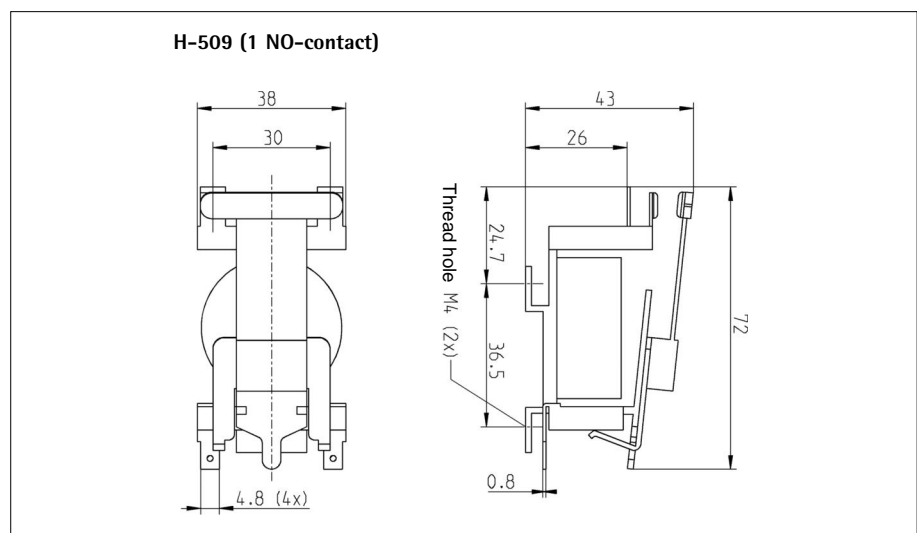
Max. switching capacity	AC 5.000 VA, DC *W
Max. switching current	10 A
Max. switching voltage	AC 5.000 V, DC *V
Electrical service life (with nominal load)	>10 ⁵ cycles
* see DC-switching capacity	

Insulation

Degree of pollution (V) 2
 Insulating material group I
 The relay is to fix to a ground-connected mounting plate

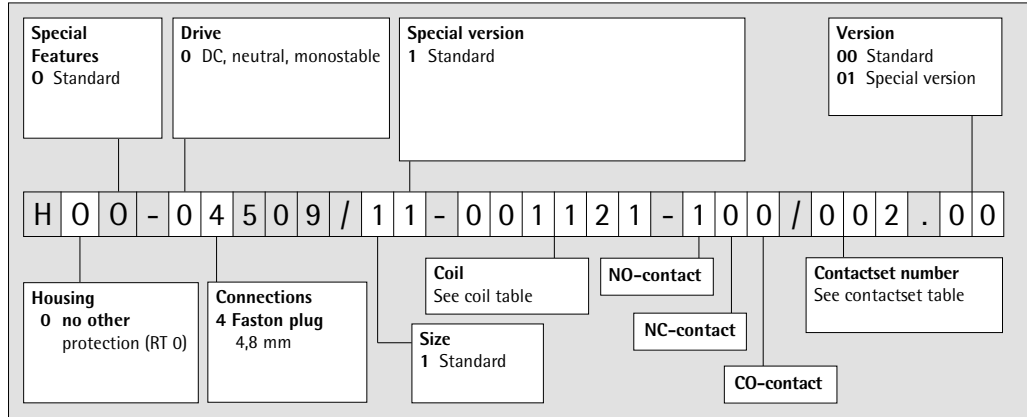
Insulation between	Air-/creeping distance	Test voltage 50Hz/60s
Contactset - Drive	> 13/17 mm	AC 8.000 V

Dimensions



High Voltage Relay H-509

Type key



Contactset table

Number of contacts NO/NC/CO contacts	AgCdO	W	Contact material
100	002	004	Contactset number
010	005	possible	

All values at ambient temperature $T_u = 20\text{ °C}$

Coil table

Coil-No.	Resistance R/Ω	Resistance- tolerance \pm	U_1/V	U_2/V	$U_{rück}/V$	Printing U_{nom}/V
001092	78	9%	10,1	21,5	1,2	12
001121	280	6%	20,0	41,0	2,5	24
001111	4.870	11%	84,8	168,6	10,0	110
001106	17.500	9%	179,1	321,3	21,0	230

U_1 : Minimum operating voltage with consideration of coil self heating
 U_2 : Thermal restricted maximum coil voltage
 $U_{rück}$: Releasing voltage

Further coils are possible and available

Running type

Article-No.	Type key	Printing U_{nom}	U_1/V	U_2/V	$U_{rück}/V$
509-1075	H00-04509/11-001121-100/002.00	DC 24 V	20,0	41,0	2,5
509-1091	H00-04509/11-001111-100/002.00	DC 110 V	84,8	168,6	10,0
509-1092	H00-04509/11-001121-010/005.00	DC 24 V	20,0	41,0	2,5

Diagrams

