

Bistable Relay K-RH



General

- 1 NO contact
- High power contact for 100 A
- High shock and vibration resistance
- Customized coil and contact connections
- Define switch position at voltage breakdown
- Ambient temperature -25 ... +70 °C
- RoHS compliance

Connections

- Coil connection: Tape cable with plug
- Load contact: M6 thread

Drive

- Direct current, bistable

Standards

- IEC 61810-1

Technical Data mechanical

Dimensions L x W x H (in mm)	66,7 x 49 x 24
Shock resistance	100 g, 11 ms Half sinus
Vibration resistance	20 g, 10 - 55 Hz
Operating time	typical 20 ms
Releasing time	typical 20 ms
Mechanical service life (without load)	>75.000 cycles
Weight	120 g

Technical Data electrical

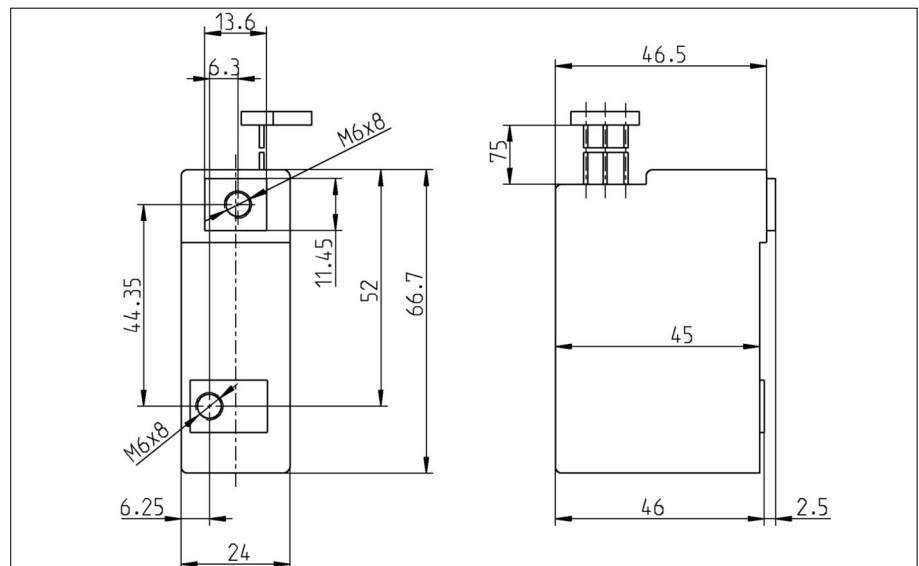
Max. switching capacity	AC 24.000 VA, DC *W
Max. switching current	100 A
Max. switching voltage	AC 230/240 V, DC *V
Electrical service life (with nominal load)	>10.000 cycles
* see DC-switching capacity	

Insulation

Over voltage category (Ü) III	B-I = Basic insulation
Degree of pollution (V) 2	V-I = Reinforced (double) insulation
Insulating material group II	

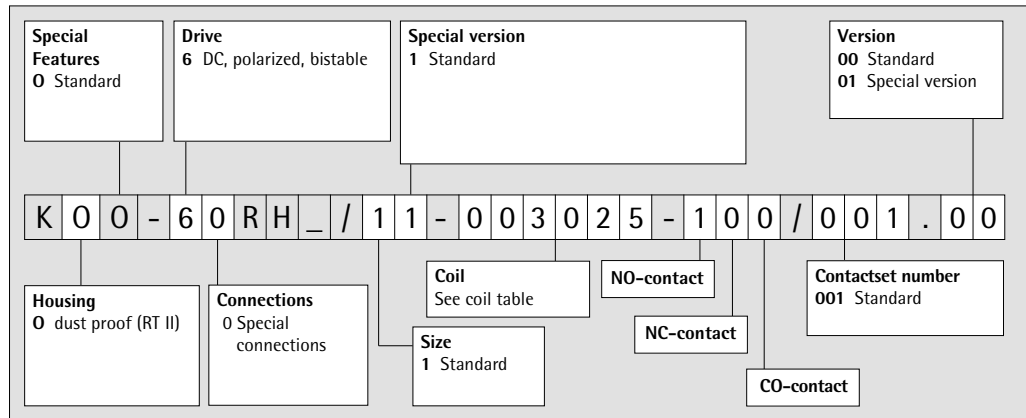
Insulation between	Nominal voltage network system		Air-/ creeping distance	Test voltage 1,2/50µs
	AC 120/240 V	AC 230/400 V		
Contactset - Drive	V-I	V-I	> 5,5 mm	6.000 V

Dimensions



Bistable Relay K-RH

Type key



Contactset table

Number of contacts NO/NC/CO-contacts	AgSnO ₂	Contact material
100	001	Contactset number

Coil table 1 Coil

Coil-No.	Resistance R/Ω	U _{min} /V	U _{max} /V	Printing U _{nom} /V
001032	23	5,1	14,7	6
001025	80	9,6	27,4	12
001120	250	17,0	48,4	20
001088	320	19,6	54,7	24
001080	1.280	37,5	109,4	48

Pulse duration: >80ms

2 Coils

Coil-No.	Resistance R/Ω	U _{min} /V	U _{max} /V	Printing U _{nom} /V
003034	2 x 10	4,2	9,7	5/5
003032	2 x 11	4,9	10,1	6/6
003025	2 x 40	9,7	19,3	12/12
003120	2 x 125	17,1	34,2	20/20
003088	2 x 160	19,7	38,7	24/24
003080	2 x 640	38,4	77,4	48/48

Pulse duration: >80ms

Further coils are possible and available

Running types

Article-No.	Type key	Printing U _{nom}	U _{min} /V	U _{max} /V
RH_-4148	K00-60RH_/11-003080-100/001.00	DC 48/48 V	38,4	77,4
RH_-5442	K00-60RH_/11-003025-100/001.00	DC 12/12 V	9,7	19,3
RH_-5443	K00-60RH_/11-003025-100/001.00	DC 12/12 V	9,7	19,3
RH_-5444	K00-60RH_/11-003025-100/001.00	DC 12/12 V	9,7	19,3

Bistable Relay K-RH

Diagrams

