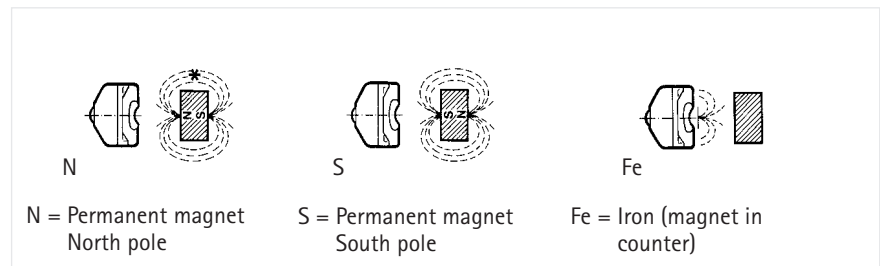


# Colibri 490



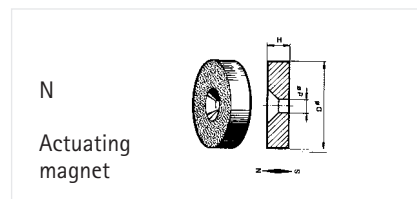
## MAGNETIC ACTUATION

- Contactless counting
- Miniature size
- Simple installation
- Protection class IP 66
- Maintenance-free operation



Actuation is effected by a magnetic field. With suitable magnets it is possible to achieve actuating distances of up to 50 mm. The direction of approach of the actuating magnet is not critical. When choosing a counter, it is important to observe the correct polarity of the actuator (see Figure).

## ACTUATING MAGNETS



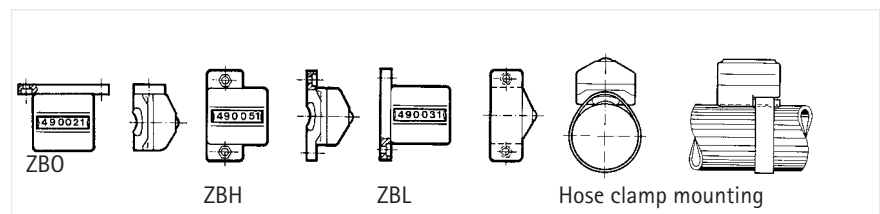
We supply suitable magnets for actuating this counter. The magnet core consists of barium iron (hard ferrite 22/17 acc. to DIN 17 410). For attachment (centre hole) only screws made of non-magnetic material may be used.

## DIMENSIONS OF ACTUATING MAGNETS

Ordering code	D	d	H
3 532 023	15.2 mm	3.2 mm	6 mm
3 532 024	31.0 mm	5.3 mm	15 mm

## ATTACHMENT

"Colibri" is available for several means of attachment:

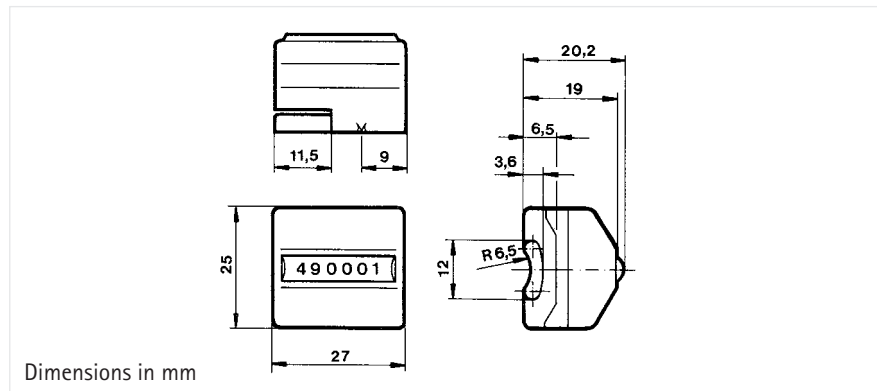


ZOB = Counter without attachment plate      ZBL = Counter with attachment plate left  
 ZBO = Counter with attachment plate top      ZBH = Counter with attachment plate behind

## TECHNICAL DATA

Display	6-digit
Digit height	4 mm, visual
Operating temperature	- 10 ... + 50 °C
Storage temperature	- 40 ... + 60 °C
Mounting	depending on version
Mounting position	any
Protection class (DIN 4050)	IP 65
Vibro stability	20 m/s <sup>2</sup> (10...150 Hz) acc. to IEC 068-2-6
Shock stability	2.000 m/s <sup>2</sup> (3 ms) acc. to IEC 068-2-27
Maintenance-free operation	10 million increments
Case	Makrolon
Weight	approx. 12 g
Counting mode	adding
Actuation	with conventional permanent magnets
Actuating distance	Fe-version 0.5 mm N and S magnets see order information
Response flux density	> 10 mT (100 Gauss)
Release flux density	< 4 mT (40 Gauss)
Actuating speed	2 m/s
Counting frequency max.	20 digits/s
Reset	none

## DIMENSIONS



## ORDER INFORMATION

	Ordering code	Ordering code	Ordering code
Counter without attachment accessories	North pole 0 490 001	South pole 0 490 002	Fe 0 490 003
Attachment plates	ZBO 2 490 011	ZBL 2 490 012	ZBH 2 490 005
Hose clamps	20 ... 32 mm 3 515 055	25 ... 40 mm 3 515 050*	40 ... 60 mm 3 515 057

## Actuating magnets (North pole)

Distance 10 mm	Distance 30 mm	Magnetic plate 6 mm
3 532 023	3 532 024	3 532 025

\* on request