

Type 205

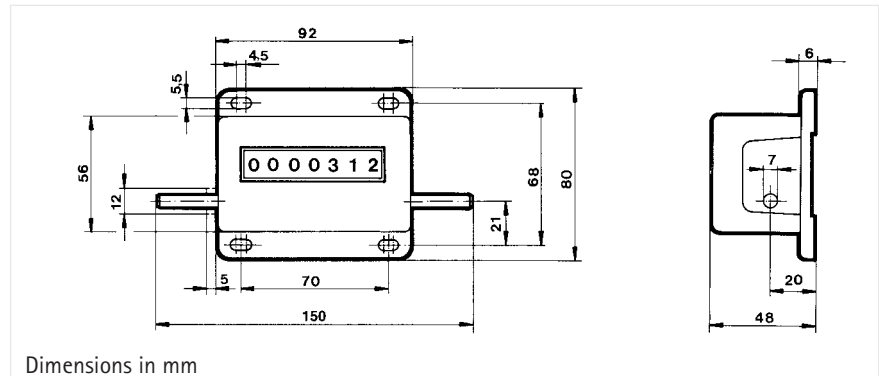


TECHNICAL DATA

- 7-digit display
- Large 8 mm digits
- With key reset
- Protection class IP 53

Display	7-digit (999999.9 m/dm)
Digit height	8 mm
Protection class (DIN 4050)	IP 53
Case	die-cast zinc, black
Cover	plastic (ASB), grey
Weight	approx. 430 g
Counting mode	+ (-) adding in specified direction, subtracting in reverse
Transmission ratio	1:2, 1:5 or 1:10, depending on version
Max. speed	3000 digits/min
Torque	0.5 Ncm
Reset	manual reset with removable key on either side
⚠	Don't push the reset pushbutton during the process

DIMENSIONS



ORDER INFORMATION

Actuation	Sense of rotation	Transmission ratio 1:2	Transmission ratio 1:5	Transmission ratio 1:10
☐	Bz	0 205 003	0 205 001	0 205 005
☐	Bw	0 205 004	0 205 002	0 205 006

Inquire for other versions
For measuring wheels see accessories