

Series VIR-30

Panel meter 72x36 mm Low-Cost



Model VIR-30-01
Model VIR-30-08

Voltmeter DC
Voltmeter AC

Low-cost panel meter for AC and DC voltage signals. Small size 72x36 mm and standard 14mm digit height. Direct reading on display for the input voltage measured. Instrument readjustable by potentiometers accessible at the rear of the front filter. Multiple power options in AC and DC.

Meters VIR-30-01 and 08

Panel meter 72x36mm for AC and DC voltages

Low-cost panel meters for AC and DC voltage signals. Direct reading on display of the voltage measured at the input.

Instruments with 3 digits, allow to display from -999 up to 999 with decimal point selection. Display reading is readjustable through span and offset potentiometers accessible at the rear of the front filter. Input range selection through internal solder jumpers.

Excellent digit readability, with high quality leds and anti-reflexive front filter. Easy panel fixation. Connections with plug-in screw terminals on the rear of the instrument.



Order Reference

Model	Power	Range
VIR-30 - 01	0	0/450Vdc
-01	-0 (230 Vac)	0/450 Vdc
-08	-1 (115 Vac)	0/400 Vac
	-2 (24 Vac)	0/99.9 Vdc
	-3 (48 Vac)	...
	-6 (10 to 30 Vdc)	

Technical Data

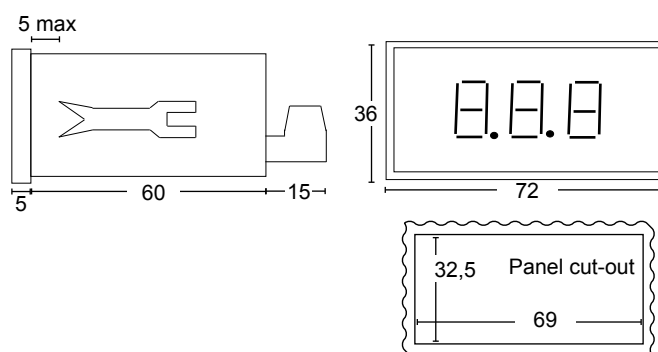
Digits	3
Type	7 segments, red
Height	14 mm
Maximum display	999
Minimum display	-999
Decimal point	selectable 8.8.8
Overrange	"XXX" flashing
Underrange	"-XXX" flashing
Display refresh	4 per second
Power	
Options in AC	230Vac, 115Vac, 48Vac, 24Vac
Options in DC	10-30 Vdc isolated
Consumption	<3.5W
Isolation	2KV (powered in AC) 500V (powered in DC)

Temperature	
Operation temperature	0 to 50°C
Storage temperature	-20 to +70°C

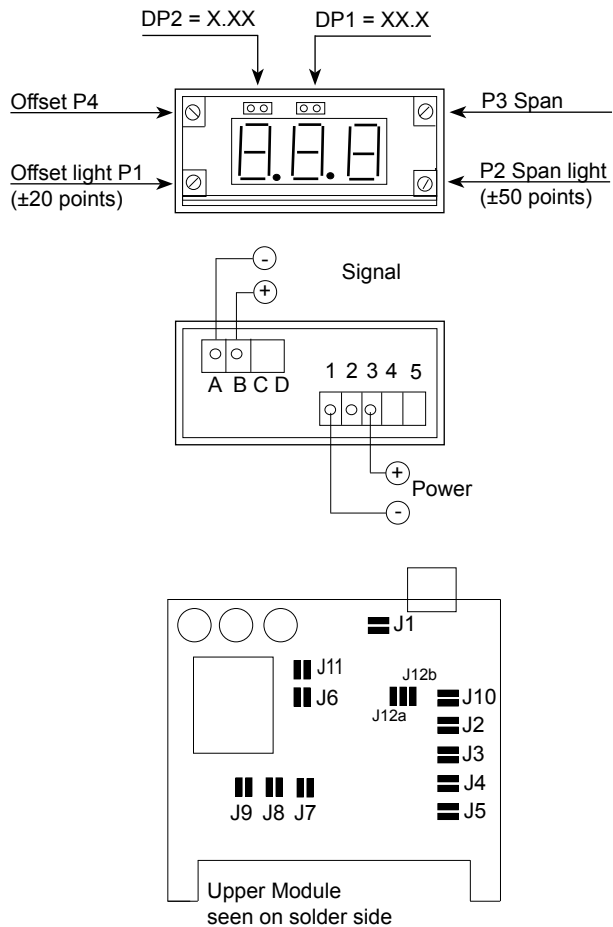
Ranges available	
VIR-30-01	450 Vdc 99.9 Vdc 9.99 Vdc 999 mVdc
VIR-30-08	400 Vac

Mechanical	
Mounting	panel
Connections	plug-in screw terminals
Weight	<150 grams
Housing material	ABS black color
Front size	72x36mm
Panel cut-out	69x32.5mm
Deep	75mm (including terminal)
Protection	IP30

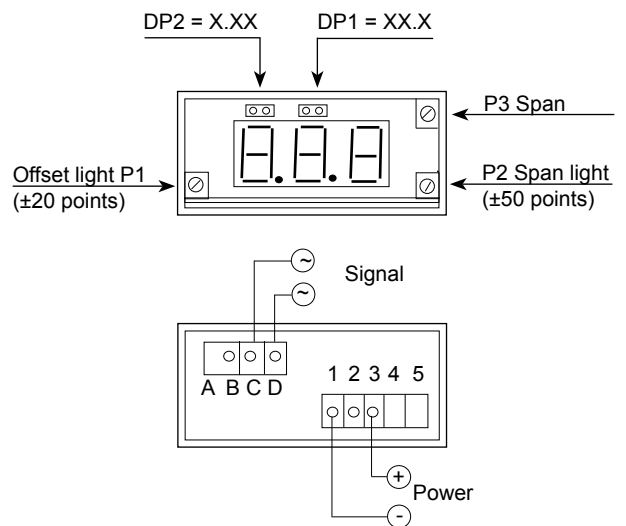
Mechanical Dimensions (mm)



VIR-30-01 Voltmeter DC



VIR-30-08 Voltmeter AC



Scale
0/400 Vac Single scale

Prescriptions

INSTALLATION - The power supply circuit must be provided with a device that permits disconnection if needed. The power supply type and value, and its connection, are printed on the labels attached to the instrument. The instrument does not have internal protection fuse. To meet safety requirements, the installation of a fuse is needed with the values indicated below :

	230Vac	115Vac
Fuse	50 mA	100 mA

MAINTENANCE - Before any operation of maintenance, adjustment, repair or substitution, the instrument must be unplugged from the power supply. To clean the instrument use a humid cloth. Do not use abrasive products (solvents, alcohols, ...) to clean the front filter and plastic parts. Do not operate the instrument in places with excess of humidity, smoke, or flammable gas. The instrument is designed to be mounted on metallic panel.

Scale	Close Jumpers	Tipo de Offset	Jumpers
0/450 Vdc	J4 - J11	Offset Negative	J8 Closed
0/99.9 Vdc	J2 - J6	(by default)	J9 Open
0/9.99 Vdc	J3 - J6	Offset Positive	J8 Open
0/999 mVdc	J3 - J11		J9 Closed

Note .- J12a always closed.
Other jumpers always open.

CE Declaration of Conformity

Manufacturer FEMA ELECTRÓNICA, S.A.
Pol. Ind. Santiga - Altimira 14
E-08210 - Barberà del Vallès - BARCELONA
ESPAÑA - SPAIN
www.fema.es - info@fema.es

Series VIR-30
Models 01,03,04,05,06,08,10,15,20,21,32,51 and 90

The manufacturer declares that the instruments indicated comply with the directives and rules indicated below.

Directive of electromagnetic compatibility 2004/108/CEE
Directive of low voltage 73/23/CEE

Safety Requirements 61010-1
Equipment "Fixed", "Permanently connected"
Pollution degree 1, Isolation Double, CAT-II

Emmission requirements
UNE EN 50081-1 (1994)

Immunity requirements
UNE EN 50082-1 (1998)

Barberà del Vallès, April 2010
Daniel Juncà - Quality Manager

other products



Panel Meters
Standard 96x48



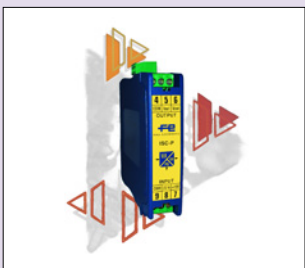
Panel Meters
Small 72x36 mm



Panel Meters
Miniature 48x24 mm



Large Displays
60 & 100 mm digit



Signal Converters
& Isolators



Panel Meters
Standard 96x48mm

www.fema.es

ELECTRONIC INSTRUMENTATION FOR INDUSTRY

FEMA ELECTRÓNICA, S.A.
Pol. Ind. Santiga - Altimira 14
E-08210 Barberà del Vallès - BARCELONA
ESPAÑA - SPAIN

Tel. (+34) 93.729.6004 - www.fema.es
Fax (+34) 93.729.6003 - info@fema.es