

Series VIR-30

Panel meter 72x36 mm Low-Cost



Model VIR-30-10

milliammeter DC

Model VIR-30-15

milliammeter AC

Low-cost panel meter for current signals in AC and DC up to 999mA. Small size 72x36 mm and standard 14mm digit height. Direct reading on display for the input current measured. Instrument readjustable by potentiometers accesible at the rear of the front filter. Multiple power options in AC and DC.

Panel Meter VIR-30-10 y 15

Panel meters 72x36mm miliAmmeters

Low-cost panel meters with milliammeter function for AC and DC current signals. Direct reading on display of the current measured at the input, in mA.

Excellent digit readability, with high quality leds and anti-reflexive front filter. Easy panel fixation. Connections with plug-in screw terminals on the rear of the instrument.

Instruments with 3 digits, allow to display from -999 up to 999 with decimal point selection. Display reading is readjustable through span and offset potentiometers accessible at the rear of the front filter.



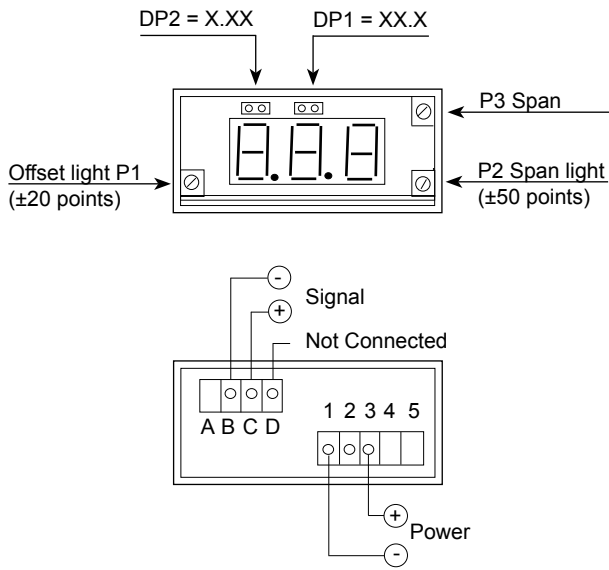
Order Reference

Model	Power	Signal	Reading
VIR-30 - 10	0	0/999 mAac	0/999 mAac
-10	-0 (230 Vac)	0/999 mAac	0/999 mAac
-15	-1 (115 Vac)	0/999 mAdc	0/999 mAdc
	-2 (24 Vac)
	-3 (48 Vac)		
	-6 (10 to 30 Vdc)		

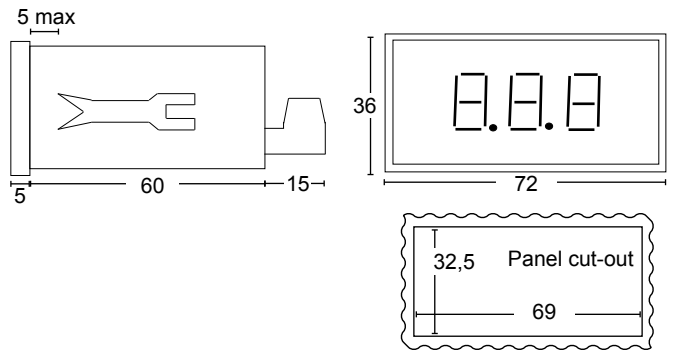
Technical Data

<u>Digits</u>	3	<u>Recalibration</u>	by internal potentiometers at the rear of the front filter
Type	7 segments, red	<u>Mechanical</u>	
Height	14 mm	Mounting	panel
Maximum display	999	Connections	plug-in screw terminals
Minimum display	-999	Weight	<150 grams
Decimal point	selectable 8.8.8	Housing material	ABS black color
Overrange	"XXX" flashing	Front size	72x36mm
Underrange	"-XXX" flashing	Panel cut-out	69x32.5mm
Display refresh	4 per second	Deep	75mm (including terminal)
<u>Signals</u>		Protection	IP30
VIR-30-10	0/999 mAdc	<u>Temperature</u>	
VIR-30-15	0/999 mAac	Operation temperature	0 to 50°C
<u>Power</u>		Storage temperature	-20 to +70°C
Options in AC	230Vac, 115Vac, 48Vac, 24Vac		
Options in DC	10-30 Vdc isolated		
Consumption	<3.5W		
Isolation	2KV (powered in AC) 500V (powered in DC)		

VIR-30-10 and VIR-30-15



Mechanical Dimensions (mm)



Prescriptions

INSTALLATION - The power supply circuit must be provided with a device that permits disconnection if needed. The power supply type and value, and its connection, are printed on the labels attached to the instrument. The instrument does not have internal protection fuse. To meet safety requirements, the installation of a fuse is needed with the values indicated below :

	230Vac	115Vac
Fuse	50 mA	100 mA

MAINTENANCE - Before any operation of maintenance, adjustment, repair or substitution, the instrument must be unplugged from the power supply. To clean the instrument use a humid cloth. Do not use abrasive products (solvents, alcohols, ...) to clean the front filter and plastic parts. Do not operate the instrument in places with excess of humidity, smoke, or flammable gas. The instrument is designed to be mounted on metallic panel.

IN CASE OF FIRE 1- Disconnect the instrument from the power supply. 2- Give alarm according to local rules. 3- Switch off air conditioning devices. 4- Attack the fire with carbonic snow. Do not use water. In closed areas do not use systems with vaporized liquids.

CE Declaration of Conformity

Manufacturer FEMA ELECTRÓNICA, S.A.
 Pol. Ind. Santiga - Altimira 14
 E-08210 - Barberà del Vallès - BARCELONA
 ESPAÑA - SPAIN
 www.fema.es - info@fema.es

Series VIR-30
 Models 01,03,04,05,06,08,10,15,20,21,32,51 and 90

The manufacturer declares that the instruments indicated comply with the directives and rules indicated below.

Directive of electromagnetic compatibility 2004/108/CEE
 Directive of low voltage 73/23/CEE
Safety Requirements 61010-1
 Equipment "Fixed", "Permanently connected"
 Pollution degree 1, Isolation Double, CAT-II
Emmission requirements
 UNE EN 50081-1 (1994)
Immunity requirements
 UNE EN 50082-1 (1998)

Barberà del Vallès, April 2010
 Daniel Juncà - Quality Manager

other products



Panel Meters
Standard 96x48



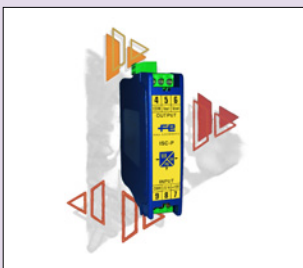
Panel Meters
Small 72x36 mm



Panel Meters
Miniature 48x24 mm



Large Displays
60 & 100 mm digit



Signal Converters
& Isolators



Panel Meters
Standard 96x48mm

www.fema.es

ELECTRONIC INSTRUMENTATION FOR INDUSTRY

FEMA ELECTRÓNICA, S.A.
Pol. Ind. Santiga - Altimira 14
E-08210 Barberà del Vallès - BARCELONA
ESPAÑA - SPAIN

Tel. (+34) 93.729.6004 - www.fema.es
Fax (+34) 93.729.6003 - info@fema.es