

# Series MAG-35

## Panel Meters



\* Panel meters for :

Pt100 / RTD



Thermocouples



Process  
mA and Vdc



Voltmeters  
DC,AC,TrueRMS



Ammeters  
DC,AC,TrueRMS



Potentiometers



Ratemeters



Shunts



Current Transf.  
X/5



Loadcells



- \* Meters with 3 1/2 digits, with display from -1999 up to +1999 and decimal point
- \* Units for all type of analogue signals, optional relay outputs, analogue outputs, digital outputs, ...
- \* For industrial applications standard size panel mount 96 x 48 mm



FEMA ELECTRÓNICA, S.A.

COMMERCIAL BROCHURE

info@fema.es  
www.fema.es

# TECHNICAL DATA – MAG-35

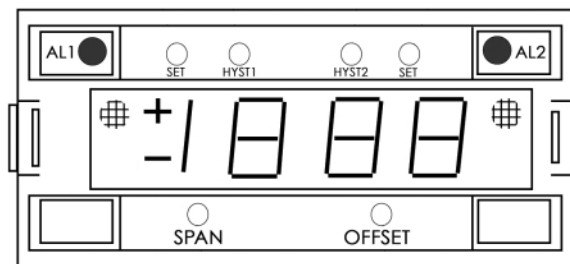
## General Data

The MAG-35 series is a complete range of panel meters with 3 1/2 digits, very versatile and easy to use.

Different models of the MAG-35 allow their integration in applications with temperature signals, process, currents and voltages, both in AC and DC, and even TrueRMS signals, potentiometers, loadcells, shunts, current transformers and more.

All units allow optional relay outputs, analogue outputs in current or voltage, parallel BCD output signals, Hold controls and «break» detection (*Peak&Hold*).

Excellent visibility of the digits, due to high quality leds and special front antirreflexive filter. Reconfiguration of the units allowable via internal jumpers and potentiometers for signal adjust.

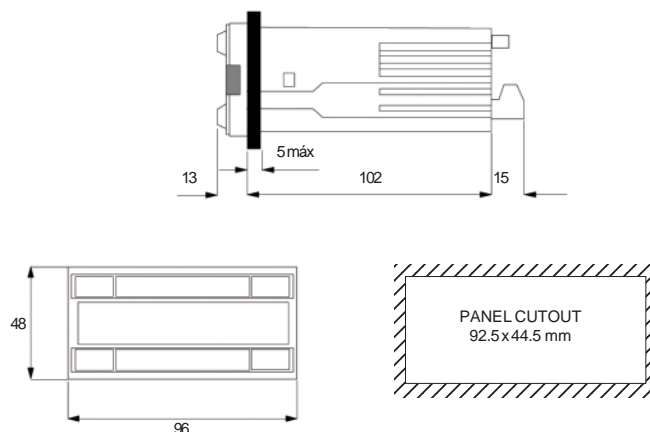


IDEAL SOLUTION to indicate all type of analogue signals, in a fast and easy way, while performing simple control actions via the contact relays, analogue outputs or digital signals..

## Technical Data

INDICATION MAX/MIN	+1999 / -1999
DECIMAL POINT	Selectable 1.9.9.9
DIGIT HEIGHT	14,2 mm
DIGIT	7 Segments, Red Led
INPUT CONVERTER	Simple bipolar dual slope A/D
INTEGRATION TIME	80 ms
NUMBER OF READINGS	3,12 per second
NMRR	50 dB
STABILIZATION TIME	2 minutes
OUT OF SCALE	1999 flashing
WORKING TEMPERATURE	from 0 to +50 °C
STORAGE TEMPERATURE	from -40 to +80 °C
WEIGHT	310 gr
POWER (STANDARD)	230 Vac or 115 Vac
CONSUMPTION	in AC 5,5 W in DC 3,5 W
CONNECTION TYPE	Plug-in screw clamps
HOUSING	DIN 43700 standard
RELAY OUTPUTS	1 or 2 contacts
ANALOGUE OUTPUTS	in mA (passive or active) and Vdc
DIGITAL OUTPUTS	BCD Parallel
OTHER OPTIONS	Hold of indication Peak&Hold («break» detection)

## Dimensions



## Common Signals

Temperatures from PT100 / RTD of 2 or 3 wires, Thermocouples J, K, T, E, S, R, Process (0/10 Vdc and 4/20 mA), Voltmeters (AC and DC), Ammeters (AC and DC), TrueRMS signals, Shunts (60, 100 and 150 mV), Current Transformers (X/5 and X/1), Loadcells, Potentiometers, Ratemeters, Resistances, Differences of process, ...

FEMA ELECTRÓNICA, S.A.

Pol. Ind. Santiga - Altimira 14 (T14 - N2)  
E-08210 Barberà - BARCELONA

Tel. (+34) 93.729.6004 - [www.fema.es](http://www.fema.es)  
Fax (+34) 93.729.6003 - [info@fema.es](mailto:info@fema.es)