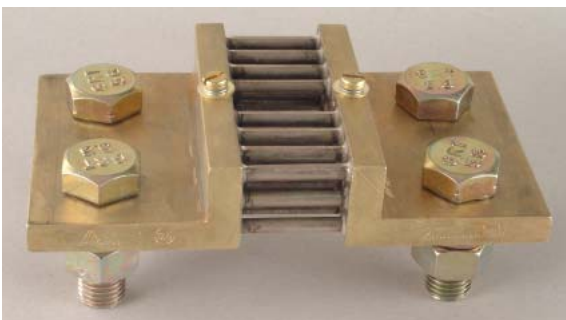
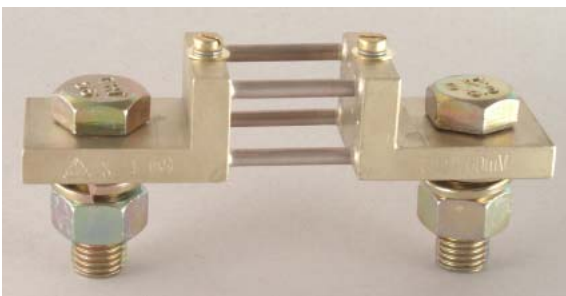




SHUNTS



APPLICATIONS:

Shunts provide an accurate DC millivolt signal to drive moving-coil ammeters, overload protection and control devices especially for higher ampere range.

They supply a voltage output proportional to the DC current which is measured for instruments with dial calibration in amperes.

GANZ shunts comply with DIN 43 703

Ratings are from 1A up to 25 000A with an accuracy class 0,5. Standard voltage drop is 60 mV or 150 mV. For intermediate current ratings, other mV outputs (30...300 mV), better accuracy is available on request.

OVERLOAD:

Brazing, soldering, ensures that the shunt will withstand temperatures up to 300°C without any permanent change.

TECHNICAL DATA:

AMBIENT TEMPERATURE: -10°C...+55°C

STORAGE TEMPERATURE: -40°C...+60°C

ACCURACY CLASS: 0,5

MATERIAL:

Resistance bars manganine

End block:

Format version A: high conductivity brass

Format version B/C: high conductivity brass or solid copper

FORMAT VERSION A:

With insulating base: up to 25 A 60,150 mV
optionally up to 200 A/60 mV
for screw mounting M8

Without insulating base: 30...150 A

FORMAT VERSION B:

L- profile end blocks

FORMAT VERSION C:

T-profile end blocks

OPTIONS:

Rated voltage drop: other than standard on request

Rated current other than standard on request
up to max. 15,000 A

accuracy class: 0,2

Insulating base suitable for shunts 30...200 A/60 mV

others on request.

Customer built shunts on request

ACCESSORIES:

Cover for shunts with insulating base



SHUNTS



Shunts type: S-1												
Voltage drop: 60 mV												
Rated current	Fig.	Cat. No.	Dimensions (mm)									
			a1	a2	b1	b2	b3	c1	c2	e	h	i
1 A	A.	0795-90-001	90	28	20	---	---	8	---	78	---	M5x12
1.5 A		-002	90	28	20	---	---	8	---	78	---	M5x12
2.5 A	↓	-003	90	28	20	---	---	8	---	78	---	M5x12
4 A		-004	90	28	20	---	---	8	---	78	---	M5x12
5 A		-009	90	28	20	---	---	8	---	78	---	M5x12
6 A		-005	90	28	20	---	---	8	---	78	---	M5x12
10 A		-006	90	28	20	---	---	8	---	78	---	M5x12
15 A		-007	90	28	20	---	---	8	---	78	---	M5x12
20 A		-018	90	28	20	---	---	8	---	78	---	M5x12
25 A		-008	90	28	20	---	---	8	---	78	---	M5x12
30 A		0796-90-001	100	33	20	---	---	8	---	80	---	M8x15
40 A		-002	100	33	20	---	---	8	---	80	---	M8x15
50 A		-003	100	33	20	---	---	8	---	80	---	M8x15
60 A		-004	100	33	20	---	---	8	---	80	---	M8x15
80 A		-005	100	33	20	---	---	8	---	80	---	M8x15
100 A		-006	100	33	20	---	---	8	---	80	---	M8x15
150 A		-008	100	33	20	---	---	8	---	80	---	M8x15
200 A	B.	0797-90-012	145	55	30	15	---	10	10	105	30	M12x40
250 A		-001	145	55	30	15	---	10	10	105	30	M12x40
300 A	↓	-003	145	55	40	20	---	10	10	105	30	M16x45
400 A		-003	145	55	40	20	---	10	10	105	30	M16x45
500 A		-004	145	55	40	20	---	10	10	105	30	M16x45
600 A		-005	145	55	40	20	---	10	10	105	30	M16x45
1000A		-007	165	65	60	30	---	10	10	115	30	M20x50
1200A		0798-90-002	165	65	90	21	48	10	10	115	30	M16x45
1500A		-001	165	65	90	21	48	10	10	115	30	M16x45
2000A		-011	165	65	90	21	48	10	10	115	30	M16x45
2500A		-004	165	65	120	30	60	10	10	115	30	M20x50
3000A		-013	165	65	120	30	60	15	10	115	60	M20x50
4000A	C.	2140-90-001	165	65	120	30	60	15	10	115	60	M20x60
5000A		-002	165	65	154	25	52	15	10	115	60	M20x75
6000A	↓	-003	175	70	154	25	52	25	15	125	130	M20x75
8000A		-004	185	75	206	25	52	30	20	135	170	M20x80
10000 A		-005	185	75	206	25	52	30	20	135	170	M20x80
15000 A		-006	185	75	310	25	52	30	20	135	170	M20x80
20000 A		-007	185	75	414	25	52	30	20	135	170	M20x80
25000 A		-008	185	75	518	25	52	30	20	135	170	M20x80

Fig. A.

Dimensions in mm.

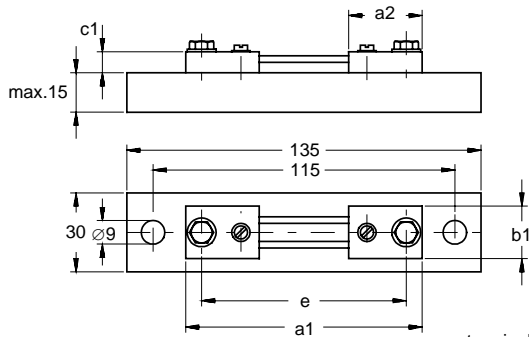
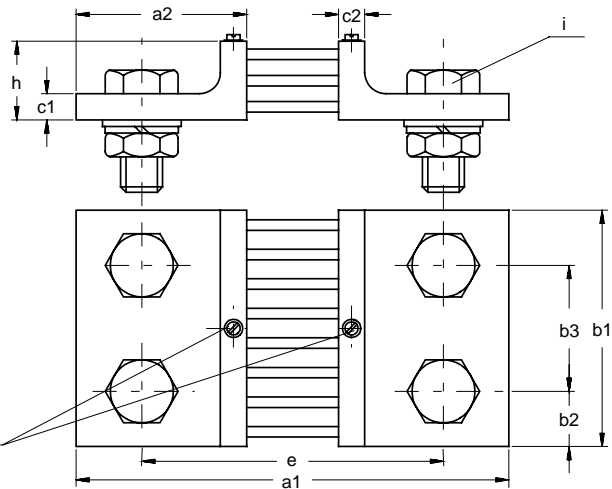


Fig. B.



Order specification 1:

- Shunt.
- Range: 1200 A 60 mV

Ordering data 1:

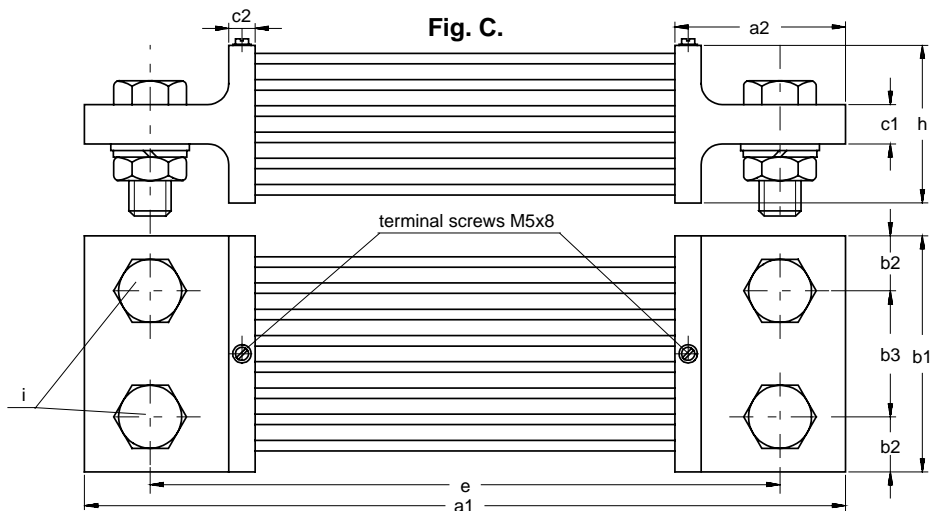
- Shunt.
- Type: **S-1 1200 A**
- Cat. No. **0798-90-002**



SHUNTS



Shunts type: S-2												
Voltage drop: 150 mV												
Rated current	Fig.	Cat. No.	Dimensions [mm]									
			a1	a2	b1	b2	b3	c1	c2	e	h	i
1 A	A.	0795-90-010	90	28	20	---	---	8	---	78	---	M5x12
1.5 A		-011	90	28	20	---	---	8	---	78	---	M5x12
2.5 A	↓	-012	90	28	20	---	---	8	---	78	---	M5x12
4 A		-013	90	28	20	---	---	8	---	78	---	M5x12
5 A		-031	90	28	20	---	---	8	---	78	---	M5x12
6 A		-014	90	28	20	---	---	8	---	78	---	M5x12
10 A		-015	90	28	20	---	---	8	---	78	---	M5x12
15 A		-016	90	28	20	---	---	8	---	78	---	M5x12
20 A		-021	90	28	20	---	---	8	---	78	---	M5x12
25 A		-017	90	28	20	---	---	8	---	78	---	M5x12
30 A		0796-90-013	225	33	25	---	---	8	---	205	---	M8x15
40 A		-009	225	33	25	---	---	8	---	205	---	M8x15
50 A		-014	225	33	25	---	---	8	---	205	---	M8x15
60 A		-010	225	33	25	---	---	8	---	205	---	M8x15
80 A		-015	225	33	25	---	---	8	---	205	---	M8x15
100 A		-011	225	33	25	---	---	8	---	205	---	M8x15
150 A		-012	225	33	25	---	---	8	---	205	---	M8x15
200 A	B.	0797-90-013	270	55	30	15	---	10	10	230	50	M12x40
250 A		-008	270	55	30	15	---	10	10	230	50	M12x40
300 A	↓	-014	270	55	40	20	---	10	10	230	50	M16x45
400 A		-009	270	55	40	20	---	10	10	230	50	M16x45
500 A		-015	270	55	40	20	---	10	10	230	50	M16x45
600 A		-010	270	55	40	20	---	10	10	230	50	M16x45
1000 A		-011	290	65	70	35	---	10	10	240	60	M20x50
1200 A	C.	0798-90-015	290	65	90	21	48	15	10	240	60	M16x60
1500 A		2523-90-001	290	65	90	21	48	15	10	240	60	M16x60
2000 A	↓	-002	290	65	120	30	60	15	10	240	60	M20x60
2500 A		-003	290	65	120	30	60	15	10	240	60	M20x60
3000 A		-004	290	65	120	30	60	15	10	240	60	M20x75
4000 A		-005	300	70	120	30	60	25	15	250	130	M20x75
5000 A		-006	300	70	154	25	52	25	15	250	130	M20x75
6000 A		-007	300	70	154	25	52	25	15	250	130	M20x75
8000 A		-008	310	75	206	25	52	30	20	260	170	M20x80
10000 A		-009	310	75	206	25	52	30	20	260	170	M20x80
12000 A		-010	310	75	310	25	52	30	20	260	170	M20x80
15000 A		-011	310	75	310	25	52	30	20	260	170	M20x80



Order specification 2:

- Shunt.
- Range: 2500 A, 150 mV.

Ordering data 2:

- Shunt.
- Type: S-2, 2500 A
- Cat. No. 2523-90-003