

S40-CR Time counter

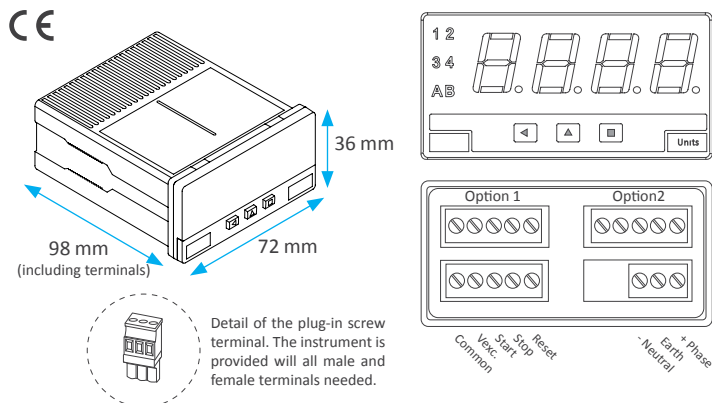
Panel meter with compact 72 x 36 mm size, and 14 mm digit height, for panel mount Time counter with external control for start, stop and reset. Configurable for decimal format and sexagesimal (clock) format. Provides excitation voltage for sensors. Universal high and low AC and DC power options. Optional output modules with relay, transistor, SSR control, analog outputs and MODBUS RTU communication.



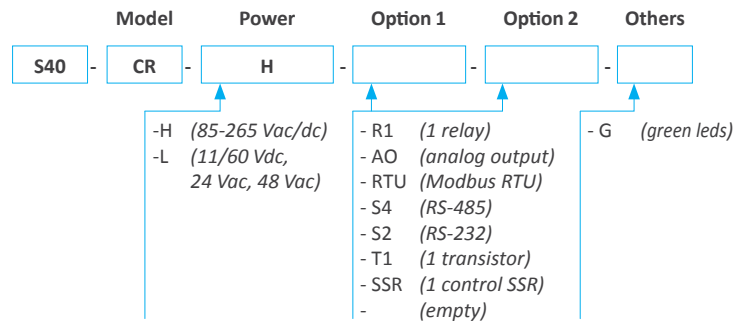
Technical specifications

Digits	4
Sexagesimal reading	mm.ss / hh.mm / dd.hh
Decimal reading	ss.ss / sss.s / ss.ss / mmmm / mmm.m / mm.mm / hhhh / hhh.h / hh.hh
Led color	red or green
Digit height	14 mm
Function	time counter (up and down counting)
Controls	start, stop, reset
Default controls*	free potential contact
* configurable for push-pull, NPN, PNP, inductive, ...	
Excitation voltage	+5 Vdc, +9 Vdc, +15 Vdc, +18 Vdc (max. 70 mA)
Maximum Vdc at input terminals	±30 Vdc
Accuracy	100 ppm
Display refresh	12 refresh / second
Reset	front, rear and 'on alarm' activation
Counting memory	maintains in case of power loss
Power 'H'	85 to 265 Vac/dc (isolated 2500 Veff)
Power 'L'	11 to 60 Vdc and 24/48 Vac (isolated 15000 Veff)
Retransmission and control options	relays, analog output, serial communications, ...
Consumption	<1.5 W (meter only) <4.0 W (meter with options)
Protection front	IP54
Connections	plug-in screw terminal
Weight	<150 grams
Mounting	panel
Front size	72 x 36 mm
Panel cut-out	69 x 32.5 mm
Deep	98 mm (including terminals)
Operating temperature	0 to 50 °C

Dimensions and connections



Order reference



* Relays R1 with contacts (NC / NO / Common), max. 250 Vac 8 A
 * Special options with 4 relays.
 * Analog outputs and serial outputs, isolated.

Functions included

- 'Fast access' menu a single press on the front keypad gives access to alarm setpoint modification, preset, memories, ...
- Special modes external control for 'up' or 'down' counting, external control for 'hold' counting, second counter for cycles, second counter for total counting time, second counter for exceeded time counting, memory of longest and shortest cycles.
- Configurable reset front and rear reset, and reset linked to alarm activation
- Preset configurable
- Trigger level configurable
- Function 'Trigger Sense' help on setting the correct trigger level
- Sensor selection by menu
- Retention memory recovers the counting value in case of power loss
- 'On power-up' function protects remote systems by delaying the output and control signals at cold start-up.
- Alarms with one or two setpoints, independent activation and deactivation delays, hysteresis, optional manual deactivation of the relay.
- Inverted relay for security applications
- Brightness 5 levels of brightness intensity.
- Password blocks access to configuration menu.

Output and control options

Model	Power	Option 1	Option 2	Others
S40	CR			
Function	Installable options	Isolated		
R1	1 relay output	2	yes	
T1	1 transistor output	2	yes	
SSR	1 control for SSR relay	2	yes	
AO	1 analog output	2	yes	
RTU	1 Modbus RTU port	2	yes	
S4	1 RS-485 port	2	yes	
S2	1 RS-232 port	2	yes	
R2, R4	special modules up to 4 relay outputs. Check for information.			

Other options

Option G



Green leds

Accessories

KA72



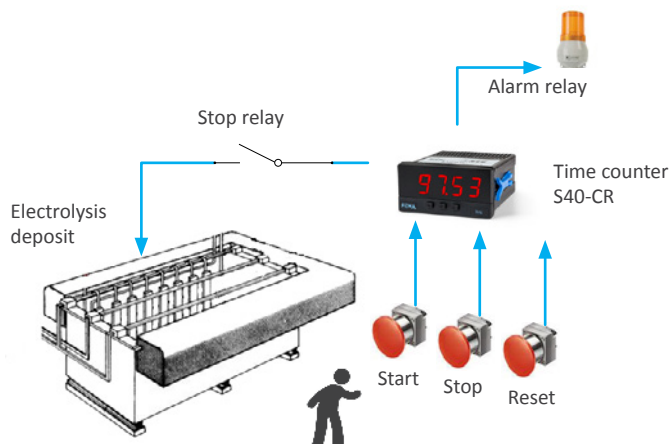
Adapter 72 x 72 mm

Additional documentation

S40-CR user's manual	www.fema.es/docs/3216_S40-CR_manual_en.pdf
S40-CR datasheet	www.fema.es/docs/3227_S40-CR_datasheet_en.pdf
Options user's manual	www.fema.es/docs/4254_SERIES_M-K-S_OPTIONS_manual_en.pdf

Application example

Electrolysis application times, controlled by a S40-CR instrument. The operator assigns the time to apply the chemical treatment and the instrument will activate the 'Stop relay' when the configured time is reached. Additionally, a second time counter can be defined to count the 'exceeded' time since the alarm was activated, or the total accumulated time with treatment activated, for maintenance control of the deposit.



Reading distances

Digit height (mm)	10	14	20	60	100
Reading distance	4 m	5 m	8 m	20 m	40 m
Series	L	M,S	K	B2x	B4x

Other Chronometers

Series M

4, 5 y 6 digits

digit height	14 mm
color	red, green
vision	5 meters
size	96 x 48 mm

DIGITAL PANEL METER
SERIES M
Full Signal Ranges Available



Series K

Further view

digit height	20 mm
color	red
vision	8 meters
size	96 x 48 mm

DIGITAL PANEL METERS
SERIES K
20 mm Digit Size



Series S

Compact size

digit height	14 mm
color	red, green
vision	5 meters
size	72 x 36 mm

DIGITAL PANEL METERS
SERIES S
Compact Size 72x36 mm

