

S40-P Process panel meter



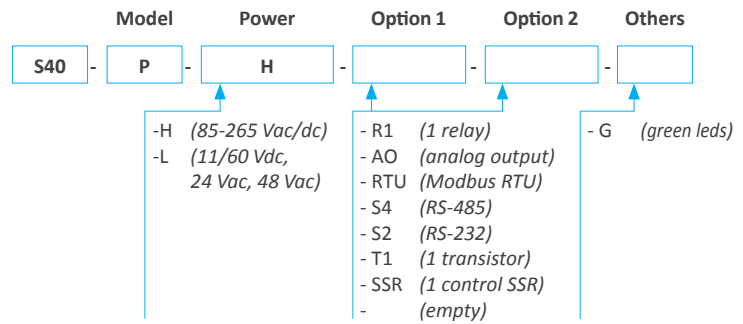
Panel meter with compact 72 x 36 mm size, and 14 mm digit height, for panel mount. Accepts 4/20 mA, 0/10 Vdc, ± 20 mA and ± 10 Vdc signals. Provides excitation voltage for the sensor. Universal high and low AC and DC power options. Optional output modules with relay, transistor, SSR control, analog outputs and MODBUS RTU communication.



Technical specifications

Digits	4
Reading	9999 / -1999
Decimal point	configurable
Led color	red or green
Digit height	14 mm
Signal ranges	4/20 mA, 0/10 Vdc, ± 20 mA, ± 10 Vdc, ...
Excitation voltage	+20 Vdc, +15 Vdc, +10 Vdc, +5 Vdc (max. 35 mA)
Accuracy	0.05% F.S. ± 1 digit
Offset drift	10 ppm/ $^{\circ}$ C
Span drift*	25 ppm/ $^{\circ}$ C *span drift value includes offset drift
Readings	15 readings / second
Refresh	15 refresh / second
Response time	<120 mSec. (0 % to 99 % signal)
Input impedance	11 Ohm in mA, 932 KOhm in Vdc
Power 'H'	85 to 265 Vac/dc (isolated 2500 Veff)
Power 'L'	11 to 60 Vdc and 24/48 Vac (isolated 1500 Veff)
Retransmission and control options	relays, analog output, serial communications, ...
Consumption	<1.5 W (meter only) <4.0 W (meter with options)
Protection front	IP54
Connections	plug-in screw terminal
Weight	<150 grams
Mounting	panel
Front size	72 x 36 mm
Panel cut-out	69 x 32.5 mm
Deep	98 mm (including terminals)
Operating temperature	0 to 50 $^{\circ}$ C

Order reference

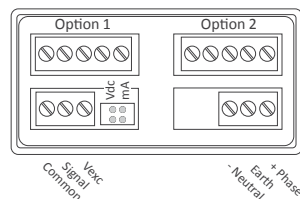
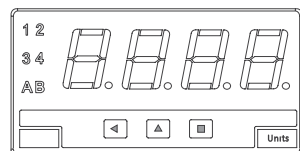
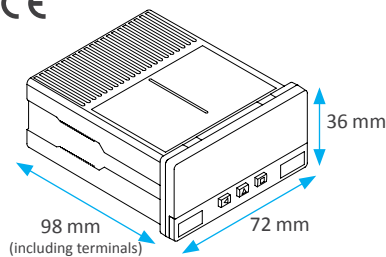


* Relays R1 with contacts (NC / NO / Common), max. 250 Vac 8 A
 * Special options with 4 relays.
 * Analog outputs and serial outputs, isolated.

Functions included

- Segment linearization. up to 20 segments for linearization of signals from irregular shaped volumes, tanker ships, ...
- 'Fast access' menu a single press on the front keypad gives access to alarm setpoint modification, special functions, memory of maximum and minimum reading, ...
- 'Field correction' function . . . for fast and easy offset corrections when installing on the field.
- 'On power-up' function protects remote systems by delaying the output and control signals at cold start-up.
- 'Measure' function for troubleshooting purposes, it displays the actual signal at input terminals, directly in mA or Vdc, without scaling.
- Alarms with one or two setpoints, independent activation and deactivation delays, hysteresis, optional manual deactivation of the relay.
- Inverted relay for security applications, relay can be configured with inverted function.
- 'Tare' function for weight applications.
- 'Peak & hold' function for test-break applications.
- Display filters recursive filters for noisy signals, optional reading in predefined steps, configurable fixed digits, ...
- Brightness 5 levels of brightness intensity.
- Password blocks access to configuration menu.

Dimensions and connections



Detail of the plug-in screw terminal. The instrument is provided with all male and female terminals needed.

Output and control options

Model	Power	Option 1	Option 2	Others
S40	P			
Function	Installable options	Isolated		
R1	1 relay output	2	yes	
T1	1 transistor output	2	yes	
SSR	1 control for SSR relay	2	yes	
AO	1 analog output	2	yes	
RTU	1 Modbus RTU port	2	yes	
S4	1 RS-485 port	2	yes	
S2	1 RS-232 port	2	yes	
R2, R4	special modules up to 4 relay outputs. Check for information.			

Other options

Option G



Green leds

Accessories

KA72



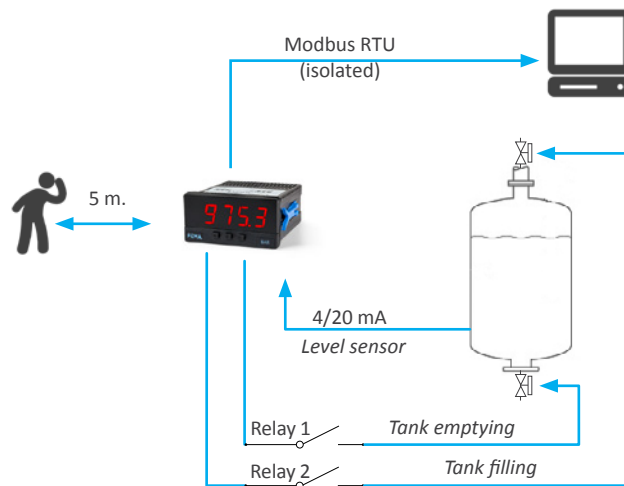
Adapter 72 x 72 mm

Additional documentation

S40-P user's manual	www.fema.es/docs/1103_S40-P_manual_en.pdf
S40-P datasheet	www.fema.es/docs/3230_S40-P_datasheet_en.pdf
Options user's manual	www.fema.es/docs/4254_SERIES_M-K-S_OPTIONS_manual_en.pdf

Application example

Measure of level from an irregular tank, with relay outputs to the solenoid valves that control the filling and emptying of the tank. Retransmission of the reading value to a remote SCADA of PLC unit through an isolated Modbus RTU bus.



Reading distances

Digit height (mm)	10	14	20	60	100
Reading distance	4 m	5 m	8 m	20 m	40 m
Series	L	M,S	K	B2x	B4x

Other meters for Process

Series M

4, 5 y 6 digits

digit height 14 mm
 color red, green
 vision 5 meters
 size 96 x 48 mm

DIGITAL PANEL METER
SERIES M
 Full Signal Ranges Available



Series K

Further view

digit height 20 mm
 color red
 vision 8 meters
 size 96 x 48 mm

DIGITAL PANEL METERS
SERIES K
 20 mm Digit Size



Series S

Compact size

digit height 14 mm
 color red, green
 vision 5 meters
 size 72 x 36 mm

DIGITAL PANEL METERS
SERIES S
 Compact Size 72x36 mm

