

K40-485 Display for RS-485 ASCII

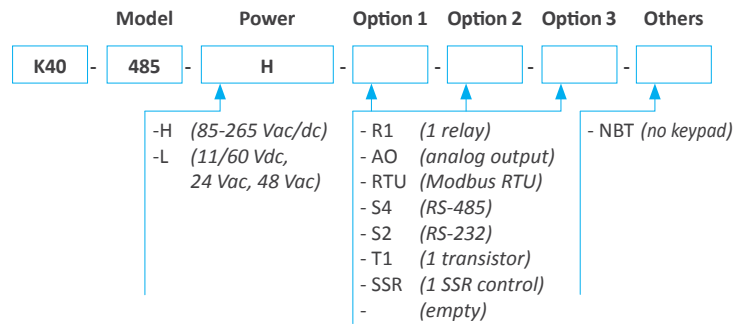
Digital display for ASCII code repeater, on RS-485 bus, with 4 digits and 20 mm digit height in red color. Standard 96 x 48 mm (1/8 DIN) size, for panel mount. Three working modes allows for local or remote control of alarms and data treated as numerical values or ASCII values. Reading range from 9999 to -1999. Decimal point. 'Watchdog' function, 'Bus activity' function, 'Fast access' menu, 'On power up' function. Universal high and low AC and DC power options. Optional output modules with relay, transistor, SSR control, analog outputs and MODBUS RTU communication.



Technical specifications

Digits	4
Reading	9999 / -1999
Decimal point	X.X.X.X
Led color	red
Digit height	20 mm
Protocol	ASCII
Bus	RS-485
Function	ASCII code repeater
Speed	from 38.400 bps to 600 bps (19.200 bps by default)
Data format	8n1, 8e1, 8o1, 8n2
Address	1 to 31
Bus terminators	not included
Watchdog	configurable from 1 to 120 seconds
Working modes	'Process slave' for local control of alarms 'Full slave' for remote control of alarms 'Text' to work with ASCII characters
Power 'H'	85 to 265 Vac/dc (isolated 2500 Veff)
Power 'L'	11 to 60 Vdc and 24/48 Vac (isolated 1500 Veff)
Retransmission and control options	relays, analog output, serial communications, ...
Consumption	<1.5 W (meter only) <4.0 W (meter with options)
Front protection	IP65
Connections	plug-in screw terminal
Weight	<150 grams
Mounting	panel
Front size	96 x 48 mm
Panel cut-out	92 x 44 mm
Deep	91 mm (including terminals)
Operating temperature	0 to 50 °C

Order reference

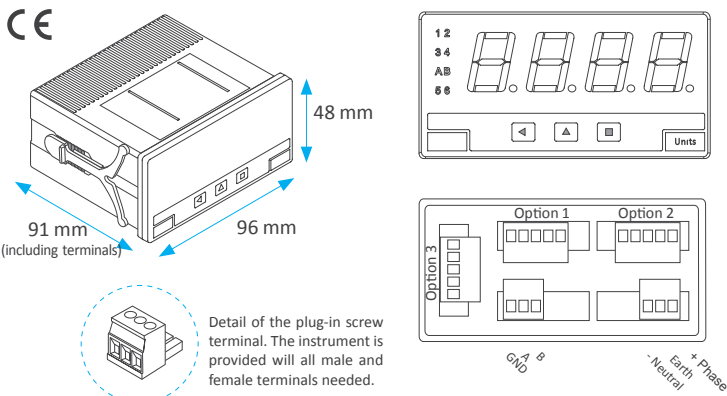


* Relays R1 with contacts (NC / NO / Common), max. 250 Vac 8 A
 * Special options with 4 and 6 relays.
 * Analog outputs and serial outputs, isolated.

Functions included

- 'Process slave' in 'Process slave' mode, alarms are configured locally and are associated to the display value
- 'Full slave' in 'Full slave' mode alarms activate or deactivate writing on alarm registers.
- 'Text' in 'Text' mode, ASCII characters received are not translated to number, but are directly displayed as 7 segment characters.
- 'Watchdog' function generates error after predefined time without communication with the master. Alarm can be linked to the watchdog function.
- 'Bus activity' function detects electrical activity on the bus. Useful for troubleshooting.
- 'Fast access' menu specific menu entries can be associated to key UP ('▲'), such as display address, or alarm setpoints.
- 'On power-up' function configurable delay at start-up, and configurable state of alarms at start-up.
- Brightness 5 levels of brightness intensity.
- Password blocks access to configuration menu.

Dimensions and connections



Output and control options



	Function	Installable options	Isolated
R1	1 relay output	3	yes
T1	1 transistor output	3	yes
SSR	1 control for SSR relay	3	yes
AO	1 analog output	3	yes
RTU	1 Modbus RTU port	3	yes
S4	1 RS-485 port	3	yes
S2	1 RS-232 port	3	yes
R2, R4, R6	special modules up to 6 relay outputs. Check for information.		

Other options

Option NBT



Without front keypad

Accessories

WME



Wall mount

DRA



DIN rail mount

THM



Benchtop housing

KIP



Protector IP65

KA96



Adapter 96 x 96 mm

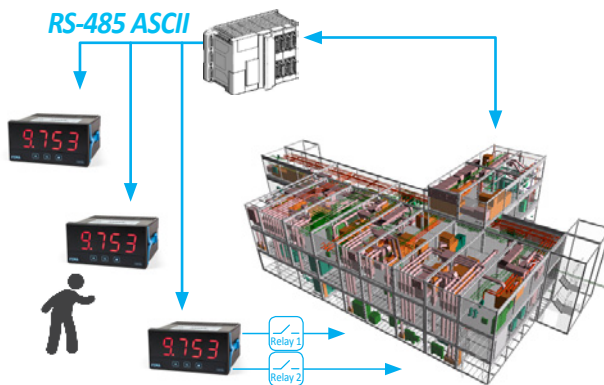
Additional documentation

K40-485 user's manual
K40-485 datasheet
Options user's manual

www.fema.es/docs/3802_K40-485_manual_en.pdf
www.fema.es/docs/3800_K40-485_datasheet_en.pdf
www.fema.es/docs/4254_SERIES_M-K-S_OPTIONS_manual_en.pdf

Application example

Factory signals are concentrated into a PLC who receives and manages factory processes. Critical information can be numerically communicated to local operators via RS-485 ASCII code repeaters K40-485. Local displayed values are of valuable help to the operator, who can review in a single and fast visual check the main critical parameters of the system.



Reading distances



Other Repeaters for RS-485

Series M

4, 5 y 6 digits
digit height 14 mm
color red, green
vision 5 meters
size 96 x 48 mm

DIGITAL PANEL METER
SERIES M
Full Signal Ranges Available



Series K

Further view
digit height 20 mm
color red
vision 8 meters
size 96 x 48 mm

DIGITAL PANEL METERS
SERIES K
20 mm Digit Size



Series S

Compact size
digit height 14 mm
color red, green
vision 5 meters
size 72 x 36 mm

DIGITAL PANEL METERS
SERIES S
Compact Size 72x36 mm

