

# K40-232 Display for RS-232 ASCII

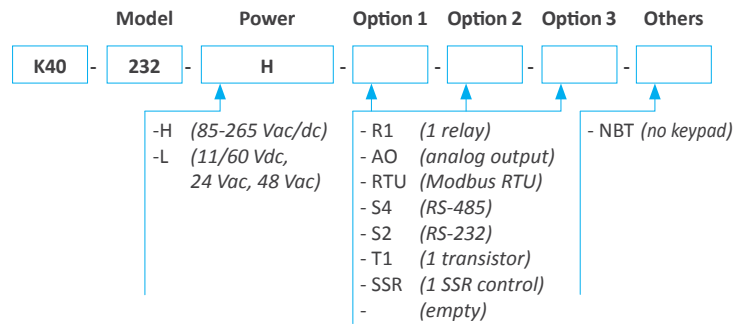
Digital display for ASCII code repeater, on RS-232 bus, with 4 digits and 20 mm digit height in red color. Standard 96 x 48 mm (1/8 DIN) size, for panel mount. Three working modes allows for local or remote control of alarms and data treated as numerical values or ASCII values. Reading range from 9999 to -1999. Decimal point. 'Watchdog' function, 'Bus activity' function, 'Fast access' menu, 'On power up' function. Universal high and low AC and DC power options. Optional output modules with relay, transistor, SSR control, analog outputs and MODBUS RTU communication.



## Technical specifications

Digits	4
Reading	9999 / -1999
Decimal point	X.X.X.X
Led color	red
Digit height	20 mm
Protocol	ASCII
Bus	RS-232
Function	ASCII code repeater
Speed	from 38.400 bps to 600 bps (19.200 bps by default)
Data format	8n1, 8e1, 8o1, 8n2
Address	1 to 31
Bus terminators	not included
Watchdog	configurable from 1 to 120 seconds
Working modes	'Process slave' for local control of alarms 'Full slave' for remote control of alarms 'Text' to work with ASCII characters
Power 'H'	85 to 265 Vac/dc (isolated 2500 Veff)
Power 'L'	11 to 60 Vdc and 24/48 Vac (isolated 1500 Veff)
Retransmission and control options	relays, analog output, serial communications, ...
Consumption	<1.5 W (meter only) <4.0 W (meter with options)
Front protection	IP65
Connections	plug-in screw terminal
Weight	<150 grams
Mounting	panel
Front size	96 x 48 mm
Panel cut-out	92 x 44 mm
Deep	91 mm (including terminals)
Operating temperature	0 to 50 °C

## Order reference

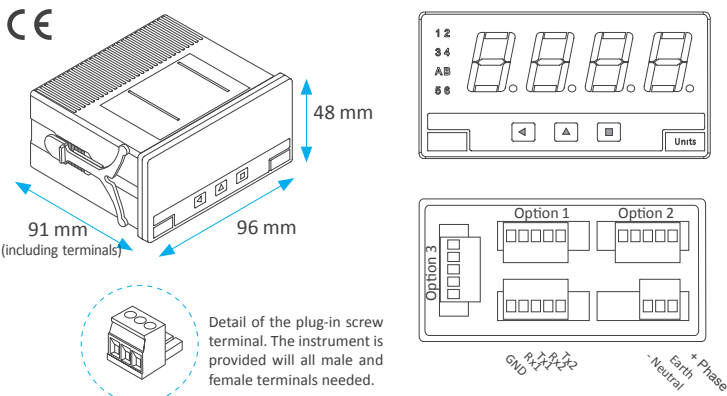


\* Relays R1 with contacts (NC / NO / Common), max. 250 Vac 8 A  
 \* Special options with 4 and 6 relays.  
 \* Analog outputs and serial outputs, isolated.

## Functions included

- 'Process slave' ..... in 'Process slave' mode, alarms are configured locally and are associated to the display value
- 'Full slave' ..... in 'Full slave' mode alarms activate or deactivate writing on alarm registers.
- 'Text' ..... in 'Text' mode, ASCII characters received are not translated to number, but are directly displayed as 7 segment characters.
- 'Watchdog' function ..... generates error after predefined time without communication with the master. Alarm can be linked to the watchdog function.
- 'Bus activity' function ..... detects electrical activity on the bus. Useful for troubleshooting.
- 'Fast access' menu ..... specific menu entries can be associated to key UP ('▲'), such as display address, or alarm setpoints.
- 'On power-up' function ..... configurable delay at start-up, and configurable state of alarms at start-up.
- Brightness ..... 5 levels of brightness intensity.
- Password ..... blocks access to configuration menu.

## Dimensions and connections



## Output and control options



	Function	Installable options	Isolated
R1	1 relay output	3	yes
T1	1 transistor output	3	yes
SSR	1 control for SSR relay	3	yes
AO	1 analog output	3	yes
RTU	1 Modbus RTU port	3	yes
S4	1 RS-485 port	3	yes
S2	1 RS-232 port	3	yes
R2, R4, R6	special modules up to 6 relay outputs. Check for information.		

## Other options

### Option NBT



Without front keypad

## Accessories

### WME



Wall mount

### DRA



DIN rail mount

### THM



Benchtop housing

### KIP



Protector IP65

### KA96



Adapter 96 x 96 mm

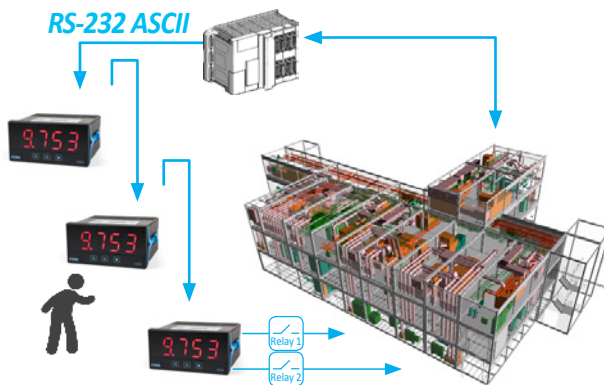
## Additional documentation

K40-232 user's manual  
K40-232 datasheet  
Options user's manual

[www.fema.es/docs/3821\\_K40-232\\_manual\\_en.pdf](http://www.fema.es/docs/3821_K40-232_manual_en.pdf)  
[www.fema.es/docs/3815\\_K40-232\\_datasheet\\_en.pdf](http://www.fema.es/docs/3815_K40-232_datasheet_en.pdf)  
[www.fema.es/docs/4254\\_SERIES\\_M-K-S\\_OPTIONS\\_manual\\_en.pdf](http://www.fema.es/docs/4254_SERIES_M-K-S_OPTIONS_manual_en.pdf)

## Application example

Factory signals are concentrated into a PLC who receives and manages factory processes. Critical information can be numerically communicated to local operators via RS-232 ASCII code repeaters K40-232. Local displayed values are of valuable help to the operator, who can review in a single and fast visual check the main critical parameters of the system. The instrument allows for Daisy-chain connection.



## Reading distances



## Other Repeaters RS-232

### Series M

4, 5 y 6 digits  
digit height ..... 14 mm  
color ..... red, green  
vision ..... 5 meters  
size ..... 96 x 48 mm

DIGITAL PANEL METER  
**SERIES M**  
Full Signal Ranges Available



### Series K

Further view  
digit height ..... 20 mm  
color ..... red  
vision ..... 8 meters  
size ..... 96 x 48 mm

DIGITAL PANEL METERS  
**SERIES K**  
20 mm Digit Size



### Series S

Compact size  
digit height ..... 14 mm  
color ..... red, green  
vision ..... 5 meters  
size ..... 72 x 36 mm

DIGITAL PANEL METERS  
**SERIES S**  
Compact Size 72x36 mm

