



#### Main features

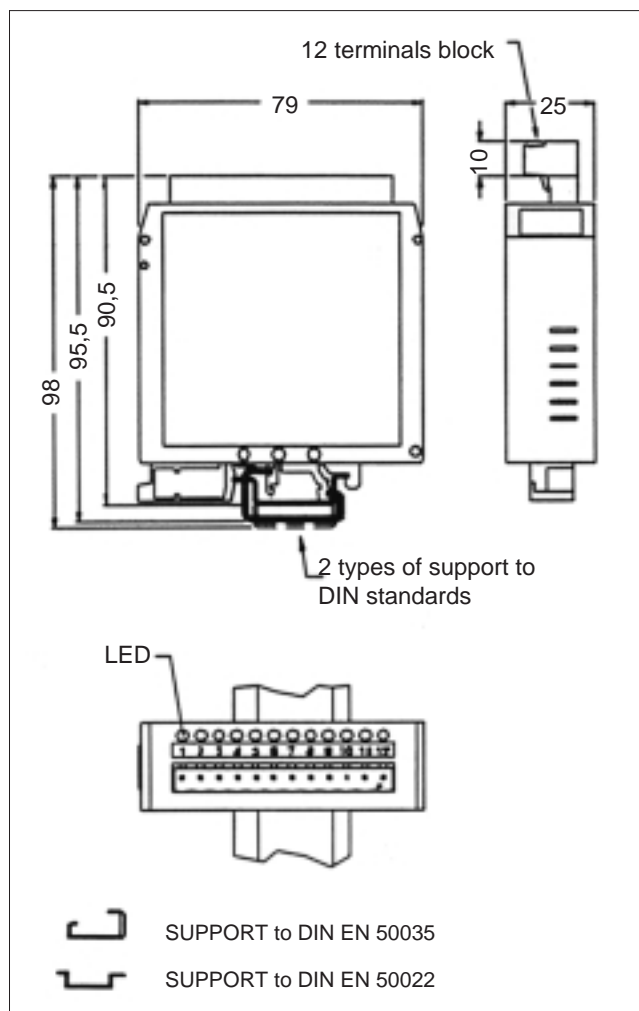
- High impedance input >100 Mohm
- Voltage output 0...10V
- Linearity error < 0,02% full scale output
- Can be connected simultaneously to two transducers
- Low thermal drift 0,01% full scale / °C
- Suitable for DIN rail mounting EN50035 and EN50022

The PCIR signal conditioners have been designed to enable the user to adapt the output impedance of linear or rotative displacement transducers in conductive plastic for acquisition systems or PLC, in a way that does not alter the linearity of the transducer itself.

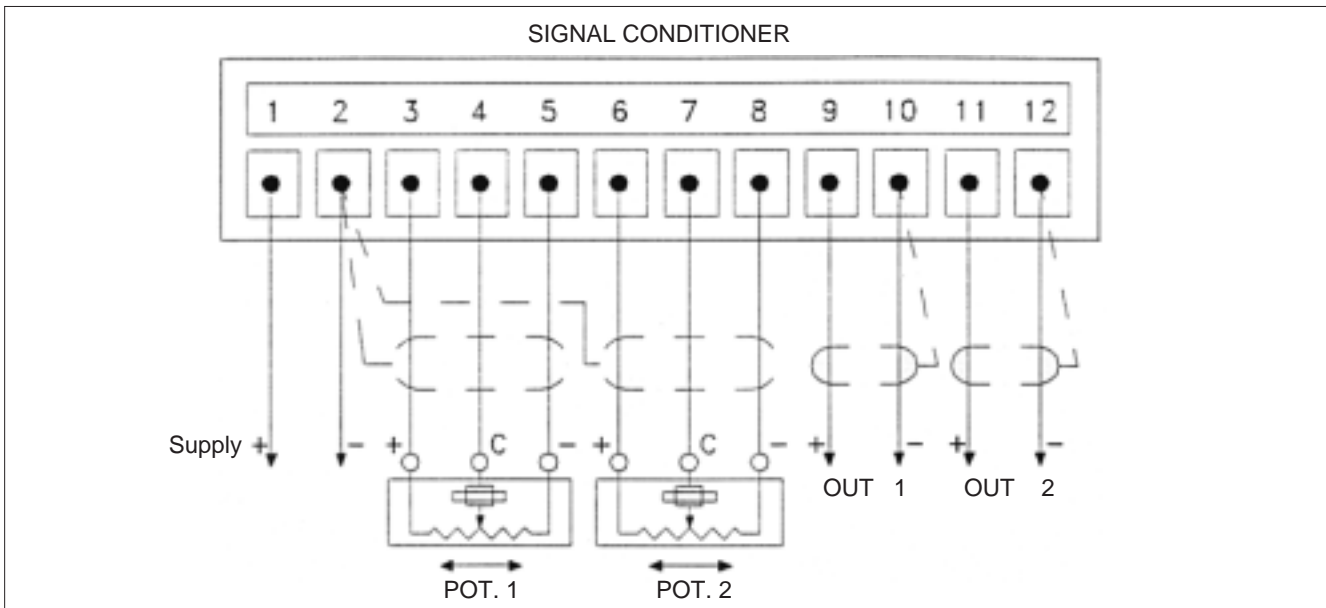
#### TECHNICAL DATA

Linearity error	< 0.02%FSO
Transducer resistance	1...20kΩ
Input impedance of cond.	> 100 MΩ
Output load resistance	> 10kΩ
Supply voltage	15...30Vdc
Current drain	< 70mA
Supply voltage to transducer	10Vdc
Output signal at zero	0mA
Zero signal accuracy	± 0,1%FSO
Full scale output	10Vdc
Full scale output accuracy	± 0,1%FSO
Inverse polarity protection	Yes
Output shortcircuit protection	Yes
Response time (10...90%FSO)	< 5ms
Output noise (RMS 10...400Hz)	-70 db FSO
Temperature range: Working StoStorage	-10...+70°C -50...+100°C
Typical thermal drift of zero	± 0.01%FSO/°C
Typical thermal drift of span	± 0.01%FSO/°C
Case material	Polyamide
Protection degree	IP30 - EN60529

#### MECHANICAL DIMENSIONS



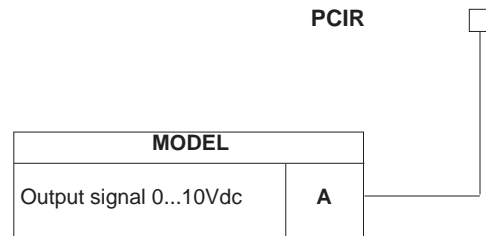
## ELECTRICAL CONNECTIONS



## OPTION ACCESSORIES

Cables and assembled cables **on request**  
 Female connector **MOR031**

## ORDER CODE



Example.: **PCIR**  
 Signal conditioner for linear or rotary displacement transducers with output signal at full scale of 10Vdc.

**GEFRAN spa** reserves the right to make any kind of design or functional modification at any moment without prior notice