

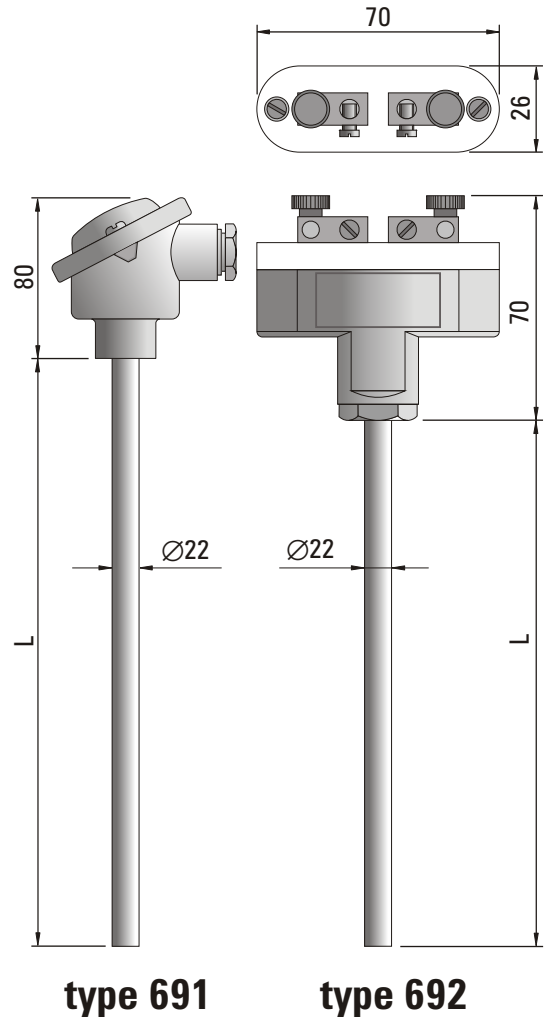
# TEMPERATURE SENSOR

## type 691, 692

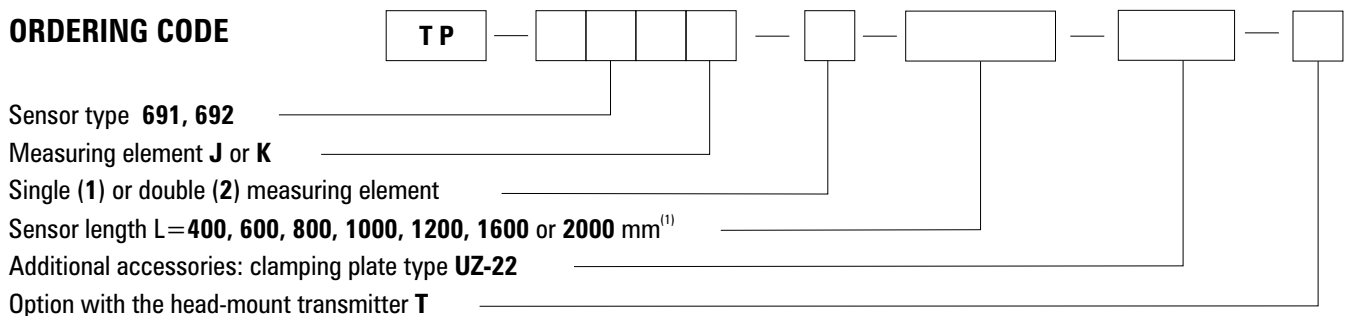
### SPECIFICATION

Temperature range	-40°C...+700°C	(J)
	-40°C...+1100°C	(K)
Measuring element	thermocouple Fe-CuNi	(J)
	thermocouple NiCr-NiAl	(K)
Class of processing element	2 <sup>(1)</sup>	
Measuring junction	insulated <sup>(1)</sup>	
Sheath material	heat-resistant steel 1.4749 <sup>(2)</sup>	
Outer sheath diameter	Ø22 mm	
Connection head type	B or DA <sup>(3)</sup> , oval opened	
Head operating temperature	-40°C...+100°C	
Additional accessories	temperature transmitter clamping plate type <b>UZ</b> compensation cable	

<sup>(1)</sup> Other parameters according to customer requirements  
<sup>(2)</sup> Sheath made of steel 1.4762 on demand  
<sup>(3)</sup> Connection head with protection class IP65 or acid resistant on demand



### ORDERING CODE



**Example for order:** TP-691K-1-800 sensor with single thermocouple NiCr-NiAl (K) of outer diameter Ø = 22 mm and length L = 800 mm.  
 TP-691K-1-800-T; TCH-2170-K sensor with the head-mount transmitter type TCH-2170-K.