

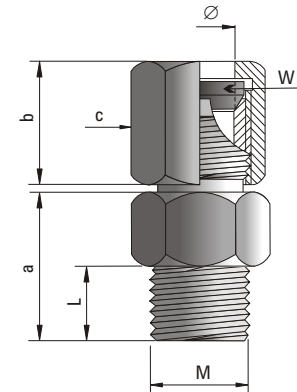
COMPRESSION GLAND type KP

Compression glands KP are used to mount temperature sensors.
 They are provided to seal at pressures up to 0,1 MPa.

Body material: stainless steel 1.4541.

Fixing element material (W): brass (Mo), PTFE (PTFE) or steel (St) on demand

Typ	M	L	a	b	c
KPM8x1	M8x1	8	13	10	SW10
KPM10x1	M10x1	10	17	15	SW14
KPM12x1,5	M12x1,5	12	20	15	SW17
KPM20x1,5	M20x1,5	18	28	23	SW24
KPG1/2"	G1/2"	18	28	23	SW24



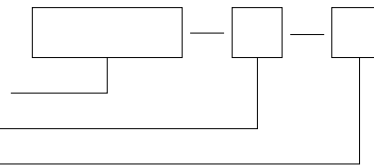
⁽¹⁾ Other inch and metric threads on demand

ORDERING CODE

Gland type **KPM8x1**, **KPM10x1**, **KPM12x1,5**, **KPM20x1,5**, **KPG1/2"** ⁽¹⁾

Sensor sheath diameter \varnothing _____

Option: fixing element material **PTFE** or **St** _____



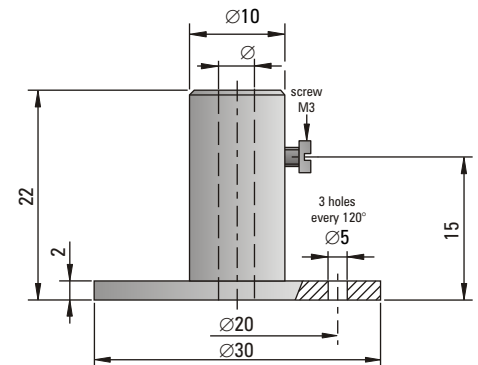
Example for order: KPM12x1,5-8 means compression gland with thread M12x1,5 for sensor sheath with diameter $\varnothing=8$ mm.

FLANGE type UK

Flanges type UK are used to mount temperature sensors.

Material: stainless steel 1.4541.

Type	\varnothing
UK-4	$\varnothing 4,2$
UK-5	$\varnothing 5,2$
UK-6	$\varnothing 6,2$



CLAMPING PLATE type UZ

Clamping plates UZ are used to mount temperature sensors.

Material: cast steel.

Type	\varnothing	a	L
UZ-15	$\varnothing 16$	55	75
UZ-22	$\varnothing 23$	70	90
UZ-32	$\varnothing 33$	70	90

