

## COMPRESSION GLAND type KP

Compression glands KP are used to mount temperature sensors.  
 They are provided to seal at pressures up to 0,1 MPa.

**Body material:** stainless steel 1.4541.

**Fixing element material (W):** brass (Mo), PTFE (PTFE) or steel (St) on demand

Typ	M	L	a	b	c
KPM8x1	M8x1	8	13	10	SW10
KPM10x1	M10x1	10	17	15	SW14
KPM12x1,5	M12x1,5	12	20	15	SW17
KPM20x1,5	M20x1,5	18	28	23	SW24
KPG1/2"	G1/2"	18	28	23	SW24

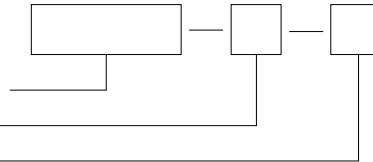
<sup>(1)</sup> Other inch and metric threads on demand

### ORDERING CODE

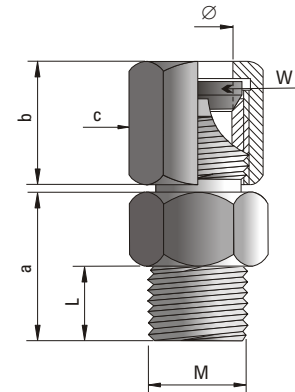
Gland type **KPM8x1, KPM10x1, KPM12x1,5, KPM20x1,5, KPG1/2"** <sup>(1)</sup>

Sensor sheath diameter  $\varnothing$  \_\_\_\_\_

Option: fixing element material **PTFE** or **St** \_\_\_\_\_



**Example for order:** KPM12x1,5-8 means compression gland with thread M12x1,5 for sensor sheath with diameter  $\varnothing=8$  mm.

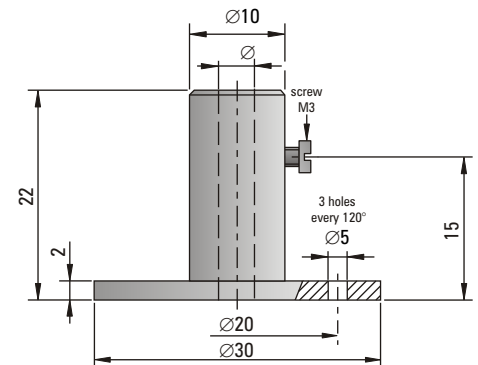


## FLANGE type UK

Flanges type UK are used to mount temperature sensors.

**Material:** stainless steel 1.4541.

Type	$\varnothing$
UK-4	$\varnothing 4,2$
UK-5	$\varnothing 5,2$
UK-6	$\varnothing 6,2$



## CLAMPING PLATE type UZ

Clamping plates UZ are used to mount temperature sensors.

**Material:** cast steel.

Type	$\varnothing$	a	L
UZ-15	$\varnothing 16$	55	75
UZ-22	$\varnothing 23$	70	90
UZ-32	$\varnothing 33$	70	90

