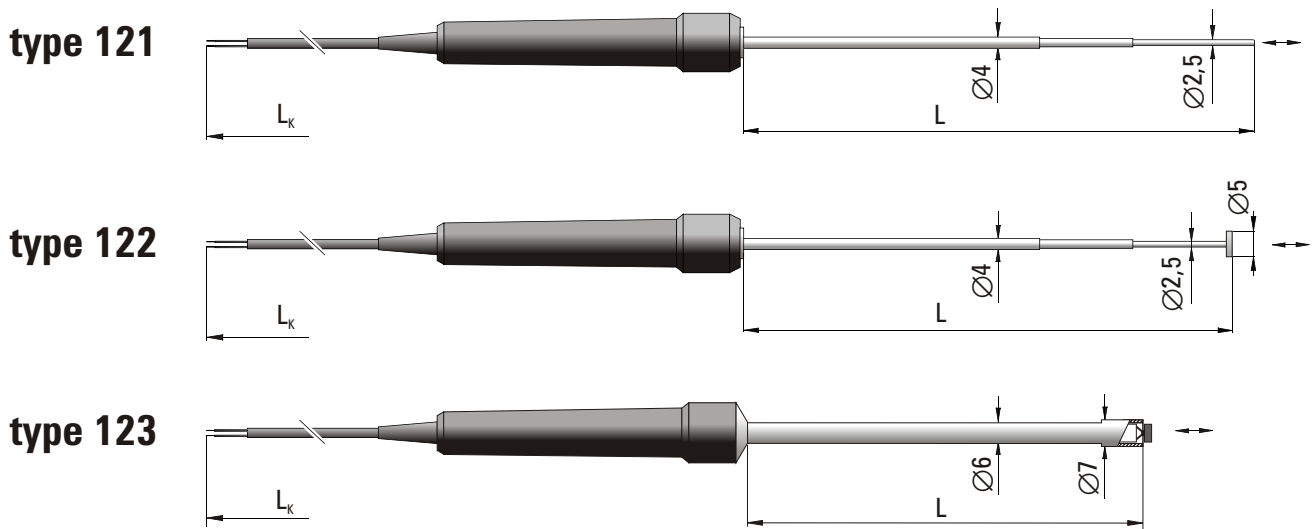


TEMPERATURE SENSOR



SPECIFICATION

| | |
|---|---|
| Application | temperature measurement of surfaces |
| Temperature range | −40°C... +800°C (TP-121), (TP-122) −40°C... +400°C (TP-123) |
| Measuring element | thermocouple NiCr-NiAl (K) ⁽¹⁾ |
| Class of processing element | 2 |
| Measuring junction | grounded ⁽²⁾ |
| Sensor length L | 100, 150, 200, 250, 300 mm ⁽²⁾ |
| Length of compensation cable L _k | spiral 1,5 m ⁽²⁾ |
| Sheath material | steel 1.4541 |
| Handle and cable operating temperature | −20°C... +80°C |
| Additional accessories | plug type MT-K (for use with hand held thermometers) ⁽²⁾ |

⁽¹⁾ Other thermocouples on demand

⁽²⁾ Other parameters according to customer requirements

ORDERING CODE



Sensor type **121, 122, 123**

Sensor length L = **100, 150, 200, 250** or **300** mm⁽²⁾

Additional accessories: plug type **MT-K**

Example for order: TP-121-300-MT-K sensor based on sheathed thermocouple NiCr-NiAl (K), length L = 300 mm and length of compensation cable L_k = 1,5 m with plug type MT-K.