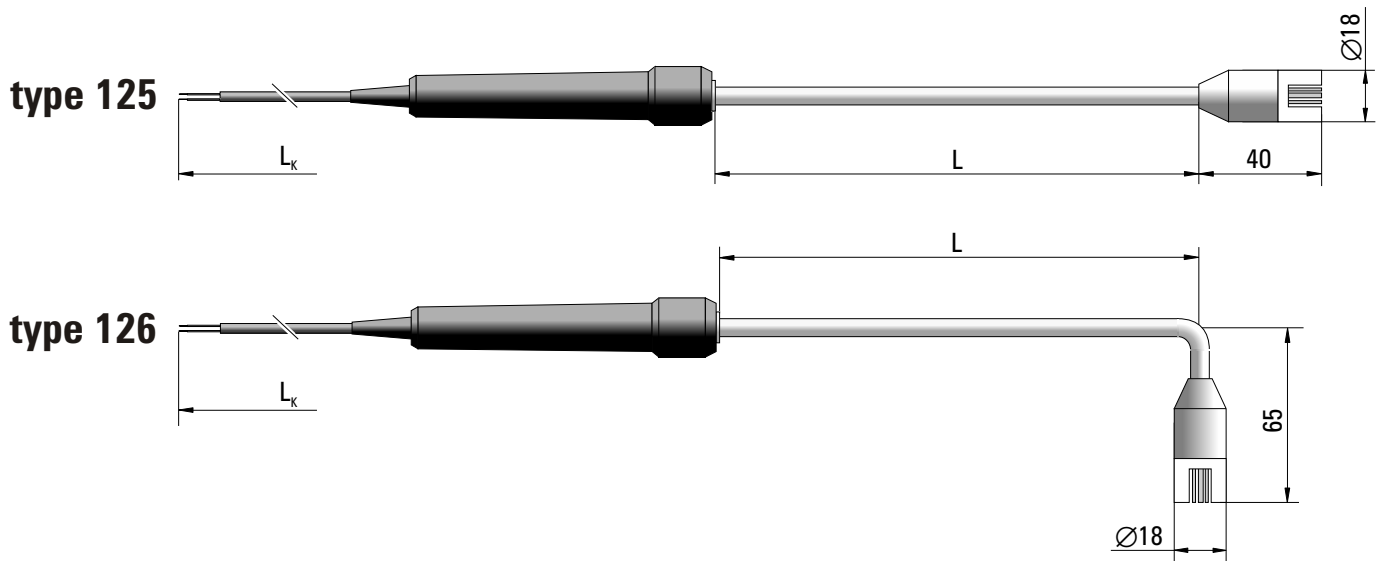


## TEMPERATURE SENSOR

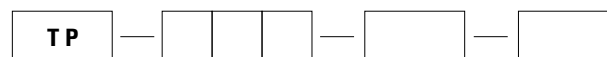


### SPECIFICATION

Application	temperature measurement of surfaces.
Temperature range	Flexible and springy sensor measuring ribbon with very good thermal conductivity. -50°C...+700°C
Measuring element	<b>ribbon thermocouple NiCr-NiAl (K)</b>
Class of processing element	2
Sensor length L	100, 200, 300, 400 mm <sup>(1)</sup>
Response time	T <sub>0,9</sub> < 5 sec.
Length of compensation cable L <sub>k</sub>	spiral 1,5 m <sup>(1)</sup>
Handle and cable operating temperature	-20°C...+80°C
Additional accessories	plug type MT-K (for use with hand held thermometers) <sup>(1)</sup>

<sup>(1)</sup> Other parameters according to customer requirements

### ORDERING CODE



Sensor type **125, 126**

Sensor length L = **100, 200, 300** or **400** mm<sup>(1)</sup>

Additional accessories: plug type **MT-K**

### Example for order:

TP-125-300 sensor based on ribbon thermocouple NiCr-NiAl (K) length L = 300 mm, length of compensation cable L<sub>k</sub> = 1,5m.

TP-125-400-MT-K sensor based on ribbon thermocouple NiCr-NiAl (K) length L=400 mm, compensation cable L<sub>k</sub> = 1,5m with plug type MT-K.