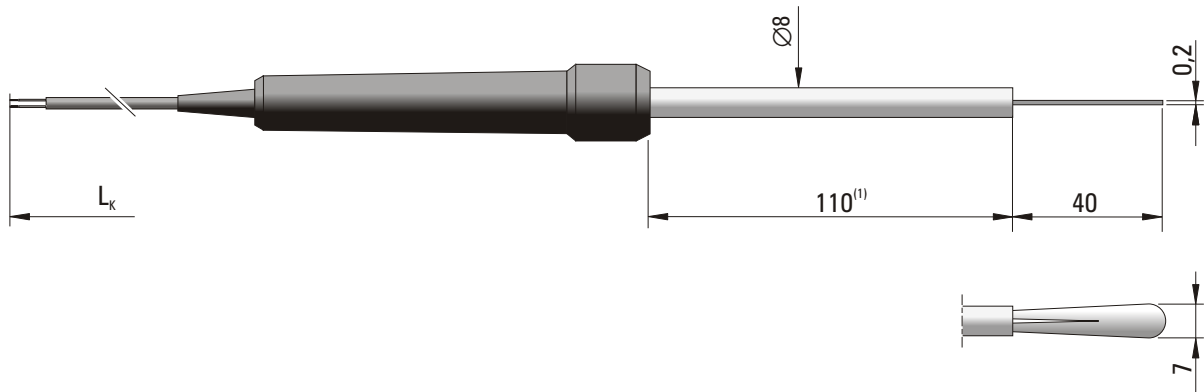


## TEMPERATURE SENSOR

### type 127



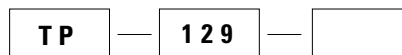
### SPECIFICATION

Application	temperature measurement of surfaces. Flexible, springy measurement tip of sensor (leaf) with very good thermal conductivity.
Temperature range	-50°C...+600°C
Measuring element	<b>leaf thermocouple NiCr-NiAl (K)</b>
Class of thermocouple	2
Response time $T_{0.9}$	<5 sec.
Length of compensation cable $L_k$	spiral 1,5 m <sup>(2)</sup>
Handle and cable operating temperature	-20°C...+80°C
Additional accessories	plug type MT-K (for use with hand held thermometers) <sup>(2)</sup>

<sup>(1)</sup> Other sensor lengths on demand

<sup>(2)</sup> Other parameters according to customer requirements

### ORDERING CODE



Additional accessories: plug type **MT-K**

**Example for order:** TP-127-MT-K temperature sensor based on leaf thermocouple NiCr-NiAl (K), length of spiral compensation cable  $L_k = 1,5m$  with plug type MT-K.