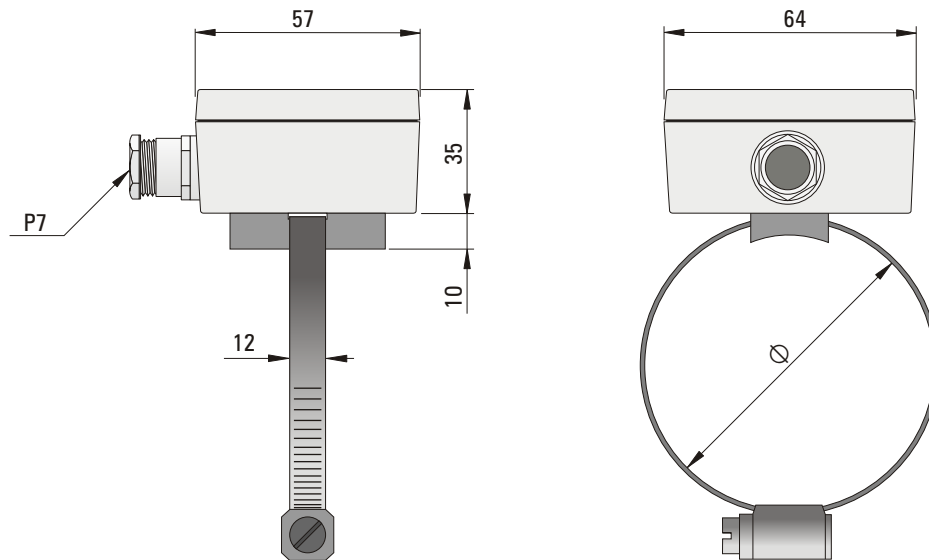


TEMPERATURE SENSOR type 388



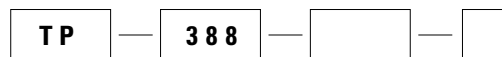
SPECIFICATION

Application	temperature measurement of pipelines and ventilation ducts of outer diameter in range from 32 mm to 130 mm ⁽¹⁾ . Equipped with heatsink and hose-clip.
Temperature range	-30°C...+90°C ⁽¹⁾
Measuring element	platinum resistor (Pt100) ⁽²⁾
Class of processing element	B
Maximum operating current	1mA
Case material	PC
Protection class	IP54
Additional accessories	temperature transmitter: analogue with fixed processing range specified on ordering code or programmable via IF-2013U interface (parameters are set as in the case of transmitters TEH-27 and TED-27)

⁽¹⁾ Other parameters according to customer requirements

⁽²⁾ Pt500, Pt1000, Ni100, Ni1000 and thermocouples on demand

ORDERING CODE



Pipeline outer diameter \varnothing in mm

Option with temperature transmitter: fixed range **T**, programmable range **TE**

Example for order:	TP-388-34	Pt100 resistance sensor for pipeline of outer diameter $\varnothing = 34$ mm.
	TP-388-34-T; -30°C + 90°C/4-20mA	sensor as above with analogue 4-20 mA temperature transmitter.
	TP-388-34-TE; 0°C + 70°C/4-20mA	sensor as above with programmable 4-20 mA temperature transmitter, factory-set range 0...70°C.