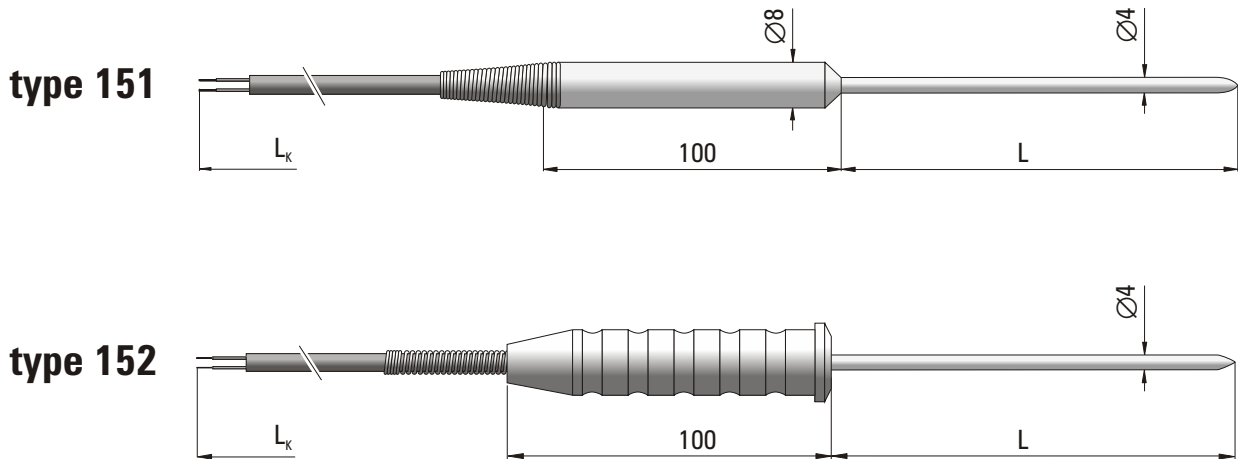


## TEMPERATURE SENSOR



### SPECIFICATION

Application	temperature measurement of meat and cured meat products in food industries, allows measurement by penetration.
Temperature range	-40°C ... +180°C
Measuring element	platinum resistor ( <b>Pt100</b> ) <sup>(1)</sup>
Class of processing element	B <sup>(2)</sup>
Handle and sheath material	steel 1.4541 ( <b>TP-151</b> ) PTFE, steel 1.4541 ( <b>TP-152</b> )
Sensor length L	50, 100, 150, 200 mm <sup>(3)</sup>
Length of cable L <sub>k</sub>	2, 3, 4 m <sup>(2)</sup>
Handle and cable operating temperature	0°C ... +180°C <sup>(4)</sup>

<sup>(1)</sup> Ni100, Ni1000, Pt500, Pt1000 on demand

<sup>(2)</sup> Other parameters according to customer requirements

<sup>(3)</sup> Angled version on demand

<sup>(4)</sup> Cable with PTFE isolation on demand (T<sub>max</sub> = +250°C)

### ORDERING CODE



Sensor type **151, 152**

Sensor length L = **50, 100, 150** or **200** mm<sup>(2)</sup>

Length of compensation cable L<sub>k</sub> = **2, 3** or **4** m<sup>(2)</sup>

**Example for order:**

TP-152-200-3  
 of cable L<sub>k</sub> = 3 m.

Pt100 resistance sensor of outer diameter Ø = 4 mm, length L = 200 mm and length