

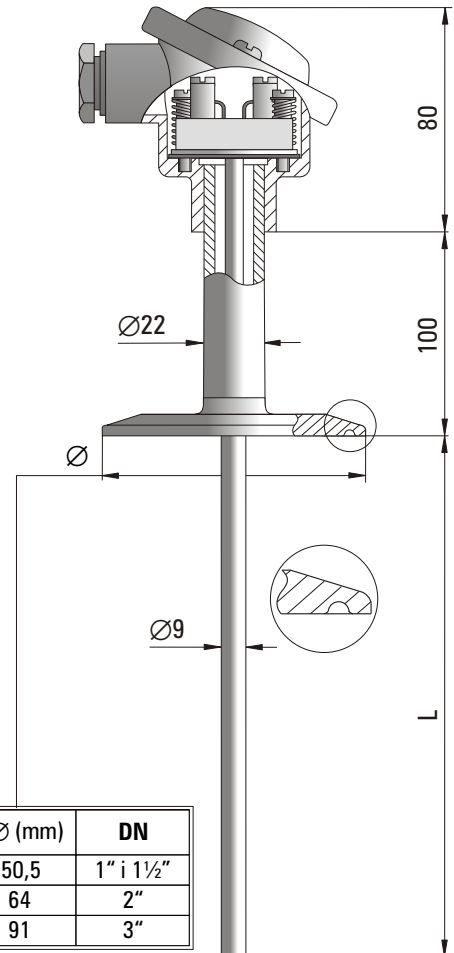
TEMPERATURE SENSOR

type 631, 632, 633

SPECIFICATION

Application	temperature measurement in pharmaceutical and food industry. The sensor is equipped with a special hygienic leak-proof joint.
Temperature range	0°C... +150°C
Measuring element - insert type TP-701	platinum resistor (Pt100)⁽¹⁾
Assembly	2, 3 or 4 wires
Class of processing element	B ⁽²⁾
Sheath material	steel 1.4541 ⁽²⁾
Roughness of sheath surface	$R_a < 0,8 \mu\text{m}^{(2)}$
Connecting head type	B or NA ⁽³⁾
Head operating temperature	-40°C... +100°C
Fitting	acc. ISO 2852
Maximum operating pressure	1,6 MPa
Additional accessories	temperature transmitter silicone sealing ring clamp

⁽¹⁾ Pt500, Pt1000, Ni100, Ni1000 on demand
⁽²⁾ Other parameters according to customer requirements
⁽³⁾ Connection head with protection class IP65 or acid resistant on demand



Type	Ø (mm)	DN
TP-631	50,5	1" i 1/2"
TP-632	64	2"
TP-633	91	3"

Sensor length L (mm)	50	100	200
Length of insert TP-701 (mm)	180	230	330

ORDERING CODE



Sensor type **631, 632, 633**
 Single **(1)** or double **(2)** measuring element
 Sensor length L=**50, 100** or **200** mm⁽²⁾
 Option with the head-mount transmitter **T**

Example for order: TP-632-1-200 sensor with single Pt100 resistor (with measuring insert type TP-701Pt100-1-330) with flange of outer diameter Ø = 64 mm and length L = 200 mm.
 TP-632-1-200-T; TCH-2120-Pt100 sensor with the head-mount transmitter type TCH-2120-Pt100.