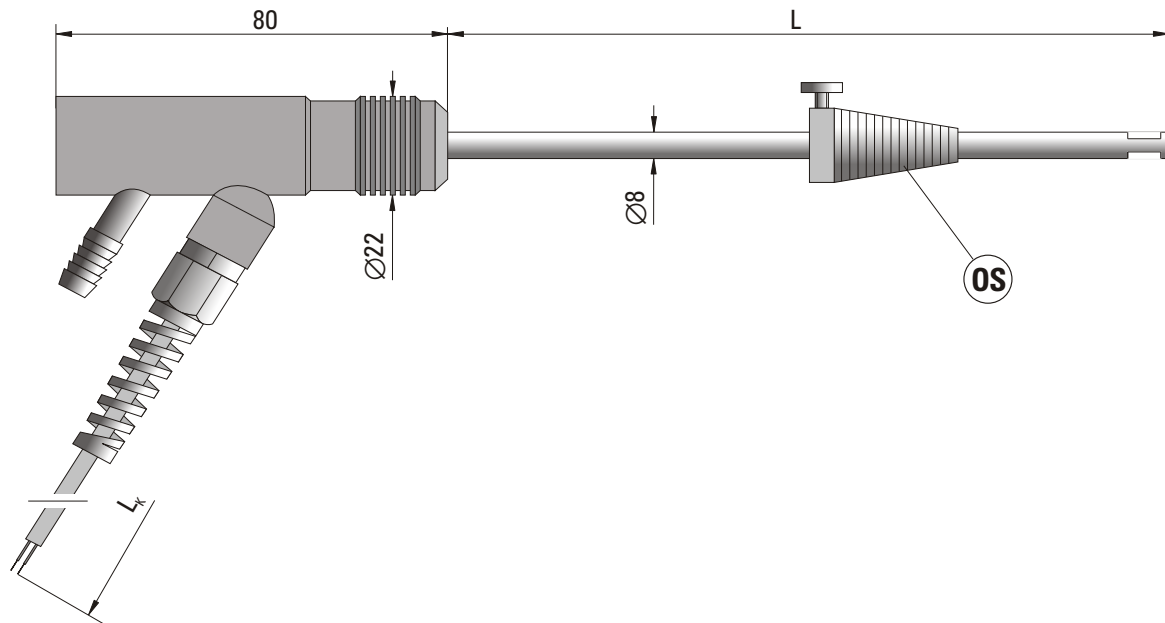


TEMPERATURE SENSOR

type 791



SPECIFICATION

Application	temperature measurement of exhaust gas, for use with the gas analyzers
Temperature range	0°C...+1000°C
Measuring element	NiCr-NiAl (K)
Class of thermocouple	1
Measuring junction	insulated
Handle and cable operating temperature	-20°C...+80°C
Sheath material	steel 1.4541
Sensor length L	300, 500 or 700 mm ⁽¹⁾
Length of compensation cable L _k	2, 3 or 4 m ⁽¹⁾
Additional accessories	conical limiter for sensor immersion depth type OS

⁽¹⁾ Other parameters according to customer requirements

ORDERING CODE



Sensor length L = **300, 500** or **700** mm⁽¹⁾

Length of compensation cable L_k = **2, 3** or **4** m⁽¹⁾

Additional accessories: conical limiter for sensor immersion depth type **OS**

Example for order:

TP-791-300-3 sensor of length L = 300 mm with compensation cable of length L_k = 3 m.

TP-791-700-4-OS sensor of length L = 700 mm with compensation cable of length L_k = 4 m and with conical limiter type OS.