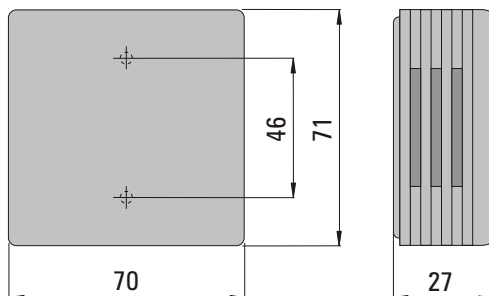
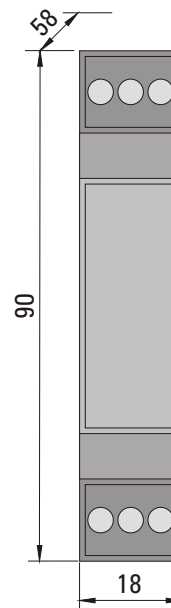
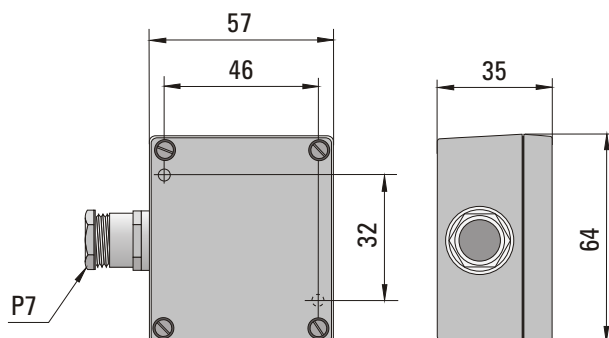


## TEMPERATURE SENSOR

**type 951**



**type 952**



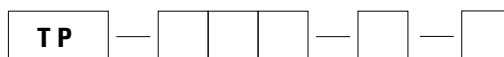
**type 953**

### SPECIFICATION

Application	room temperature sensor	<b>(TP-951)</b>
	outdoor temperature sensor	<b>(TP-952)</b>
	temperature measurement in control cabinets, rail mounting system according to DIN EN 5022-35	<b>(TP-953)</b>
Temperature range	-30°C...+70°C	
Measuring element	platinum resistor	<b>(Pt100)<sup>(1)</sup></b>
Class of processing element	A	
Maximum measuring current	1 mA	
Maximum relative humidity	up to 80%	<b>(TP-951)</b>
	up to 95%	<b>(TP-952)</b>
	up to 80%	<b>(TP-953)</b>
Case material	ABS	<b>(TP-951)</b>
	PC	<b>(TP-952)</b>
	PPO	<b>(TP-953)</b>
Additional accessories	temperature transmitter	

<sup>(1)</sup> Pt500, Pt1000, Ni100, Ni1000 on demand

### ORDERING CODE



Sensor type **951, 952, 953**

Single **(1)** or double **(2)** measuring element

Additional accessories: temperature transmitter **T**

### Example for order:

TP-952-1 sensor with single Pt100 resistor for outdoor temperature measurement.

TP-952-1-T; -30°C+70°C/4-20 mA sensor with temperature transmitter of measuring range -30°C...+70°C and output signal 4...20 mA.