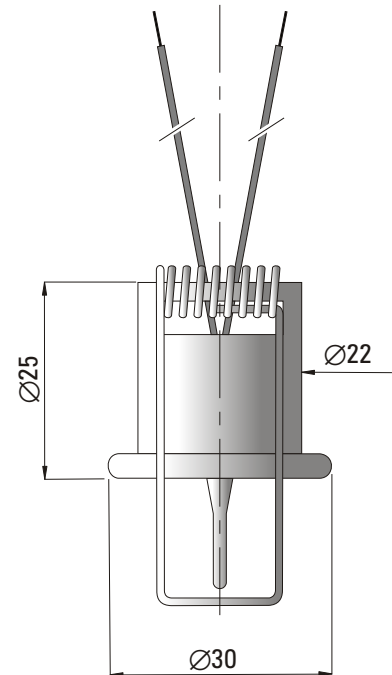
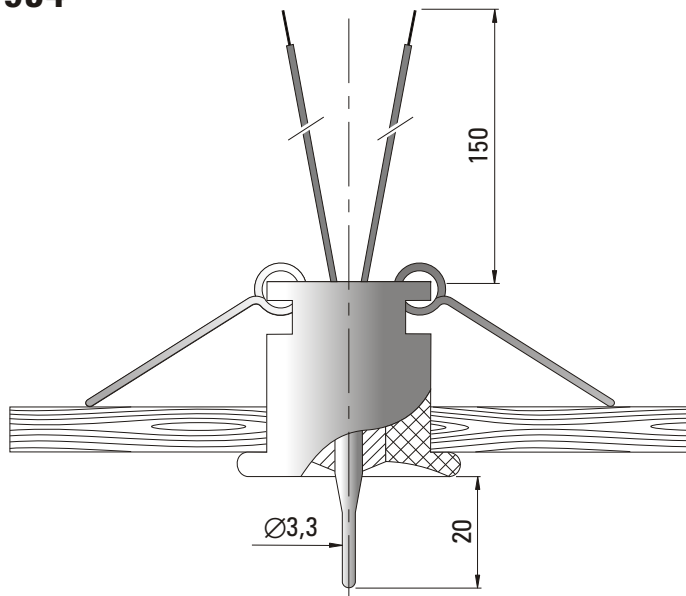


TEMPERATURE SENSOR

type 954



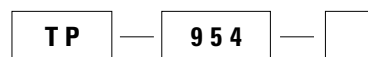
SPECIFICATION

Application	room temperature sensor for mounting on suspended ceiling
Temperature range	-20°C...+70°C
Measuring element	platinum resistor (Pt100)⁽¹⁾
Class of processing element	A
Maximum measuring current	1 mA
Connection cable	2 wires, PTFE insulated ⁽²⁾
Cable length	150 mm ⁽²⁾
Response time $T_{0.9}$ (in air 2 m/s)	<15 sek.
Protection class	IP54

⁽¹⁾ Pt500, Pt1000, Ni100, Ni1000 on demand

⁽²⁾ Other parameters according to customer requirements

ORDERING CODE



Single (1) or double (2) processing element

Example for order: TP-954-1 sensor with single Pt100 resistor for room temperature measurement.