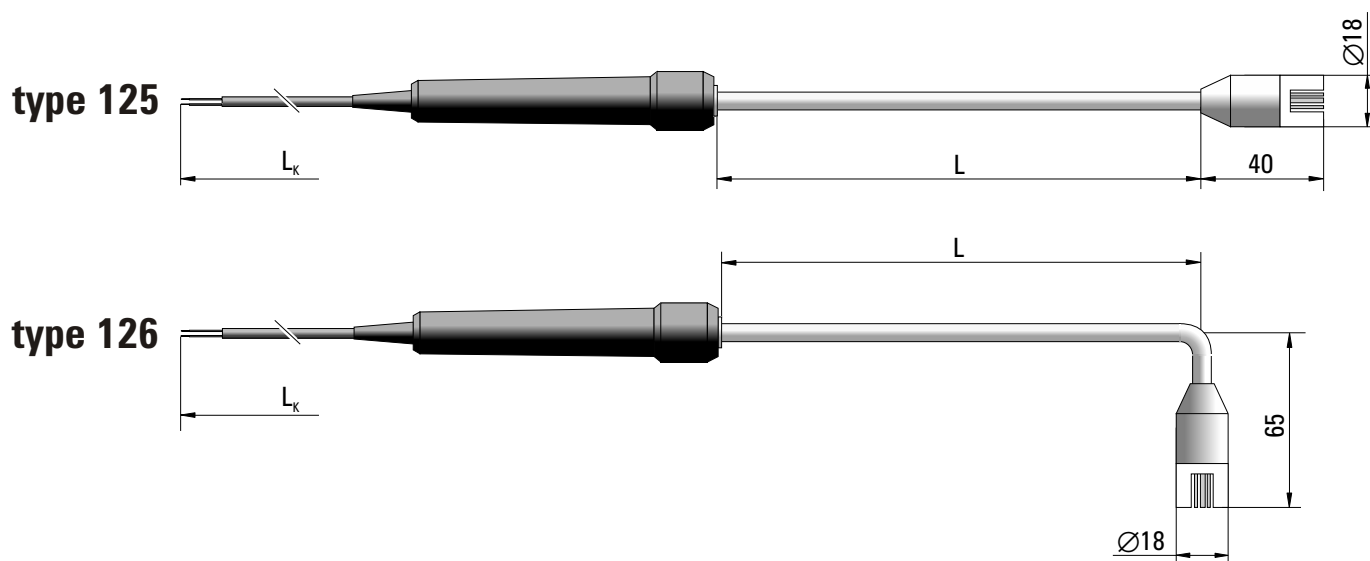


TEMPERATURE SENSOR

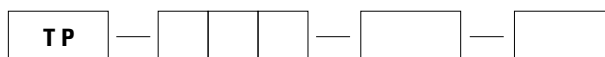


SPECIFICATION

Application	temperature measurement of surfaces.
Temperature range	Flexible and springy sensor measuring ribbon with very good thermal conductivity. -50°C...+700°C
Measuring element	ribbon thermocouple NiCr-NiAl (K)
Class of processing element	2
Sensor length L	100, 200, 300, 400 mm ⁽¹⁾
Response time	T _{0,9} < 5 sec.
Length of compensation cable L _k	spiral 1,5 m ⁽¹⁾
Handle and cable operating temperature	-20°C...+80°C
Additional accessories	plug type MT-K (for use with hand held thermometers) ⁽¹⁾

⁽¹⁾ Other parameters according to customer requirements

ORDERING CODE



Sensor type **125, 126**

Sensor length L = **100, 200, 300** or **400** mm⁽¹⁾

Additional accessories: plug type **MT-K**

Example for order:

TP-125-300 sensor based on ribbon thermocouple NiCr-NiAl (K) length L = 300 mm, length of compensation cable L_k = 1,5m.

TP-125-400-MT-K sensor based on ribbon thermocouple NiCr-NiAl (K) length L=400 mm, compensation cable L_k = 1,5m with plug type MT-K.