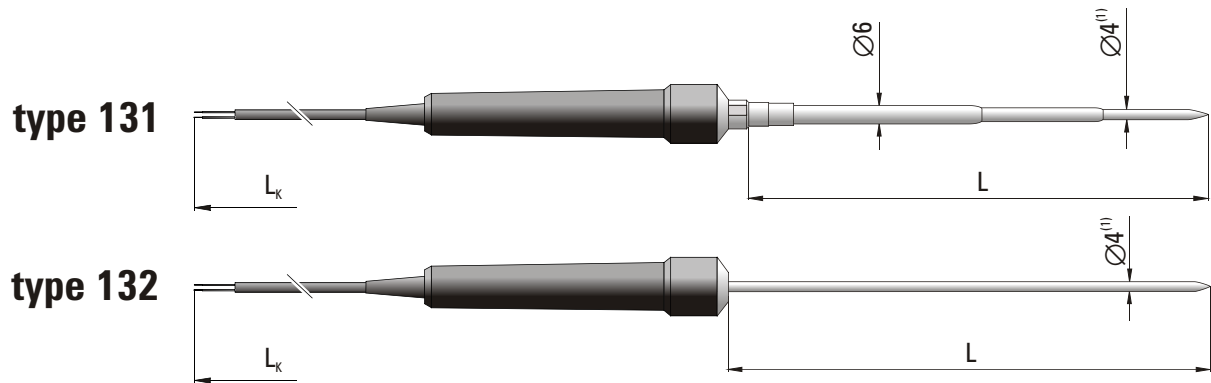


TEMPERATURE SENSOR



SPECIFICATION

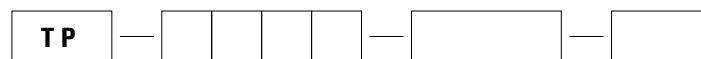
Application	temperature measurement of soft pastes, allows measurement by penetration
Temperature range	-40°C... +400°C
Measuring element	thermocouple NiCr-NiAl (K) ⁽²⁾ platinum resistor (Pt100) ⁽²⁾
Measuring junction	insulated ⁽³⁾
Class of processing element	2 (B) ⁽³⁾
Sheath material	steel 1.4541
Length of cable L _k	spiral 1,5 m ⁽³⁾
Handle and cable operating temperature	-20°C... +80°C
Additional accessories	plug type MT-K or MP (for use with hand held thermometers) ⁽³⁾

⁽¹⁾ Other diameter of penetration needle on demand

⁽²⁾ Pt500, Pt1000, Ni100, Ni1000 and other thermocouples on demand

⁽³⁾ Other parameters according to customer requirements

ORDERING CODE



Sensor type **131, 132**

Measuring element **Pt100 or K** ⁽²⁾

Sensor length L = **100, 200, 300 or 400** mm ⁽³⁾

Additional accessories: plug type **MT-K or MP** ⁽³⁾

Example for order:

TP-131Pt100-200-MP Pt100 resistance sensor of outer diameter $\varnothing = 4 \text{ mm}/6 \text{ mm}$ length L = 200 mm and length of cable L_k = 1,5 m with plug type MP.