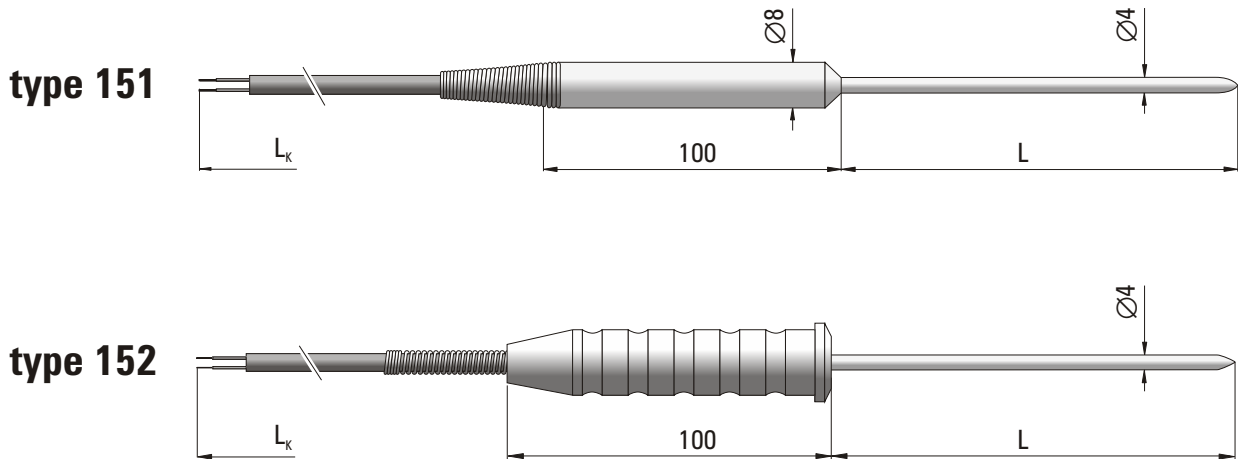


TEMPERATURE SENSOR



SPECIFICATION

Application	temperature measurement of meat and cured meat products in food industries, allows measurement by penetration.
Temperature range	-40°C ... +180°C
Measuring element	platinum resistor (Pt100) ⁽¹⁾
Class of processing element	B ⁽²⁾
Handle and sheath material	steel 1.4541 (TP-151) PTFE, steel 1.4541 (TP-152)
Sensor length L	50, 100, 150, 200 mm ⁽³⁾
Length of cable L _k	2, 3, 4 m ⁽²⁾
Handle and cable operating temperature	0°C ... +180°C ⁽⁴⁾

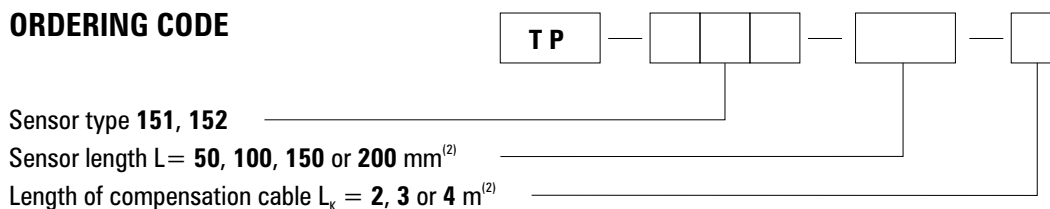
⁽¹⁾ Ni100, Ni1000, Pt500, Pt1000 on demand

⁽²⁾ Other parameters according to customer requirements

⁽³⁾ Angled version on demand

⁽⁴⁾ Cable with PTFE isolation on demand (Tmax = +250°C)

ORDERING CODE



Example for order:

TP-152-200-3
 of cable L_k = 3 m.

Pt100 resistance sensor of outer diameter $\varnothing = 4$ mm, length L = 200 mm and length