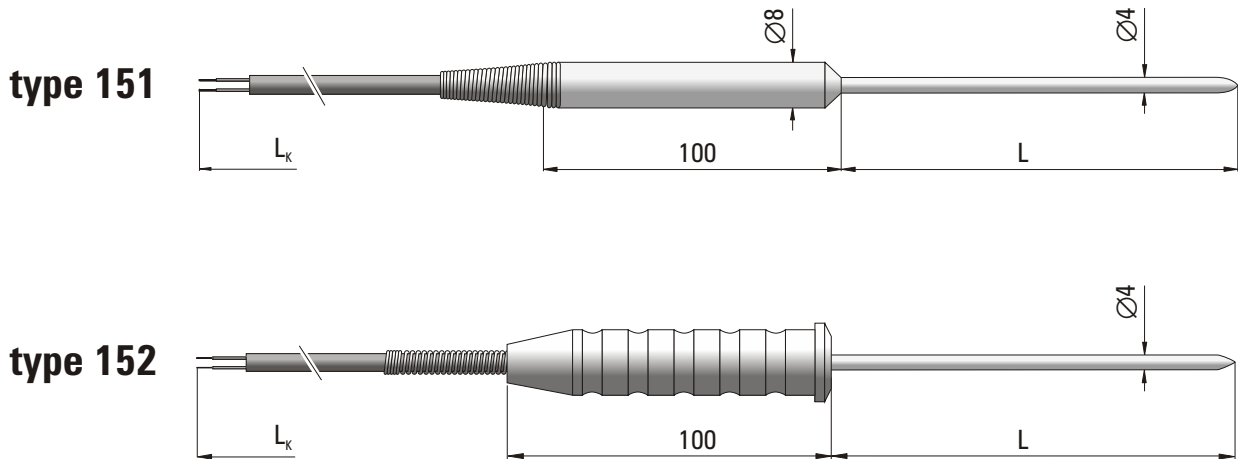


TEMPERATURE SENSOR



SPECIFICATION

| | |
|--|--|
| Application | temperature measurement of meat and cured meat products in food industries, allows measurement by penetration. |
| Temperature range | -40°C ... +180°C |
| Measuring element | platinum resistor (Pt100) ⁽¹⁾ |
| Class of processing element | B ⁽²⁾ |
| Handle and sheath material | steel 1.4541 (TP-151) PTFE, steel 1.4541 (TP-152) |
| Sensor length L | 50, 100, 150, 200 mm ⁽³⁾ |
| Length of cable L _k | 2, 3, 4 m ⁽²⁾ |
| Handle and cable operating temperature | 0°C ... +180°C ⁽⁴⁾ |

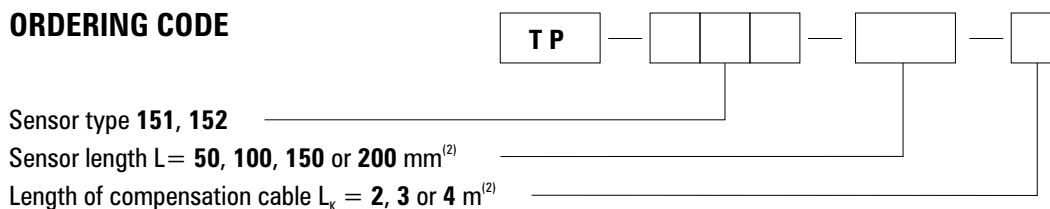
⁽¹⁾ Ni100, Ni1000, Pt500, Pt1000 on demand

⁽²⁾ Other parameters according to customer requirements

⁽³⁾ Angled version on demand

⁽⁴⁾ Cable with PTFE isolation on demand (T_{max} = +250°C)

ORDERING CODE



Example for order: TP-152-200-3
 of cable L_k = 3 m.

Pt100 resistance sensor of outer diameter Ø = 4 mm, length L = 200 mm and length