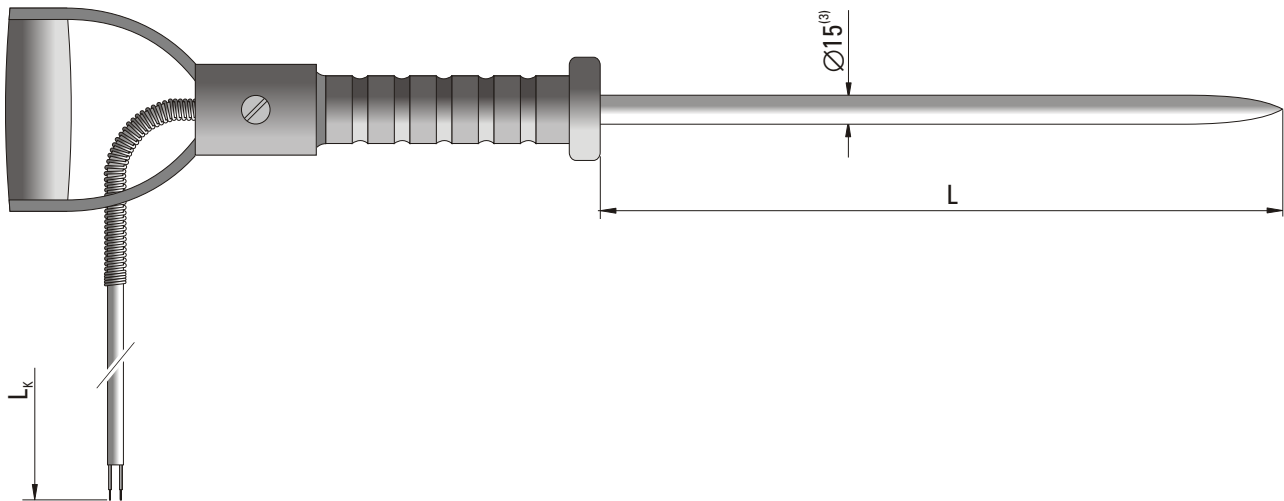


TEMPERATURE SENSOR

type 155



SPECIFICATION

Application or Temperature range	penetration sensor for temperature measurement of loose materials in bulk storage heaps such as: carbon, coke, peat, sawdust and biomass. 0°C ... +150°C
Measuring element	platinum resistor (Pt100) ⁽¹⁾
Class of processing element	A
Sheath material	steel 1.4541
Sensor length L	1000, 1500, 2000, 2500 mm ⁽²⁾
Length of cable L _k	1,5 m ⁽²⁾
Handle and cable operating temperature	-20°C ... +80°C
Additional accessories	plug type MP (for use with hand held thermometers) ⁽²⁾

⁽¹⁾ Ni100, Ni1000, Pt500, Pt1000 and other thermocouples on demand

⁽²⁾ Other parameters according to customer requirements

⁽³⁾ Other diameter of penetration needle on demand

ORDERING CODE



Sensor length L = **1000, 1500, 2000** or **2500** mm⁽²⁾

Additional accessories: plug type **MP**⁽²⁾

Example for order: TP-155-2000 penetration Pt100 resistance sensor, length L = 2000 mm and length of cable L_k = 1,5m.