

TEMPERATURE SENSOR

type 901, 902, 903

SPECIFICATION

Application

temperature measurement in receptacles and pipelines, pressure limit to 40 MPa. Sensors are equipped with drilled thermowells made from boiler, acid resistant or other kinds of steel. Thermowell can be welded into installation (type 901), screwed (type 902) or fixed on the flange (type 903).

Temperature range

0°C...+550°C

Measuring element

platinum resistor **(Pt100)**
 thermocouple NiCr-NiAl **(K)**
 thermocouple Fe-CuNi **(J)**

Class of processing element

2 (B)⁽¹⁾

Conductor material

wire Cu/Ni (for Pt100)

Connection head type

B or DA⁽²⁾

Head operating temperature

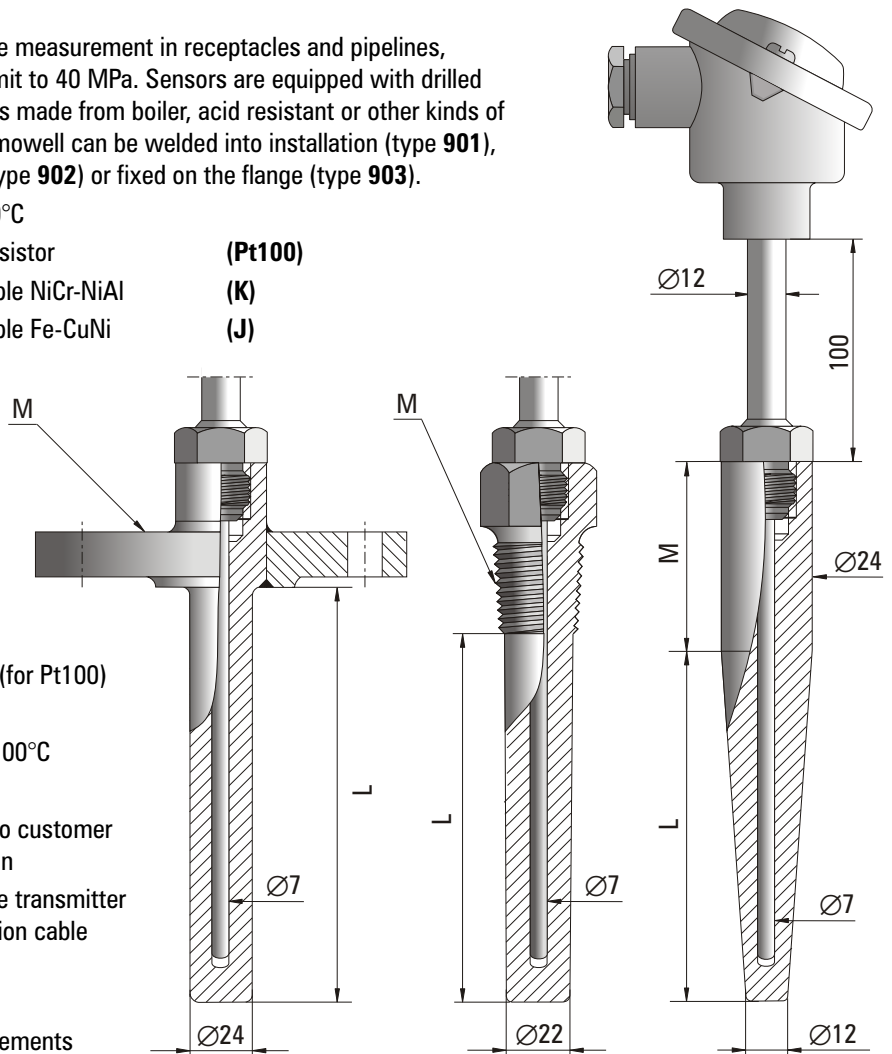
-40°C...+100°C

Thermowell dimensions and material

according to customer specification

Additional accessories

temperature transmitter
 compensation cable



type 903

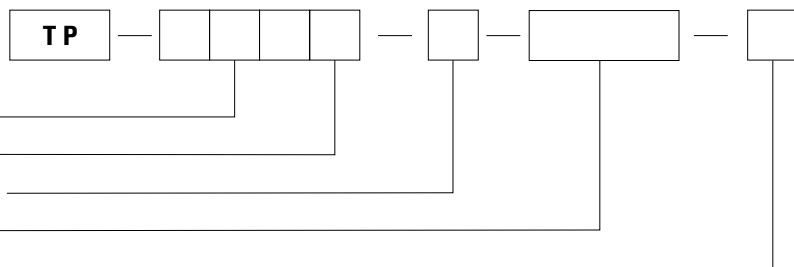
type 902

type 901

⁽¹⁾ Other parameters according to customer requirements

⁽²⁾ Connection head with protection class IP65 or acid resistant on demand

ORDERING CODE



Sensor type **901, 902, 903**

Measuring element **Pt100, J or K**

Single **(1)** or double **(2)** measuring element

Thermowell parameters: **L, M, material**

Option with the head-mount transmitter **T**

Example for order:

TP-901K-1-L= 200 mm, M = 50 mm, material 1.4541 sensor with single thermocouple NiCr-NiAl(K) with thermowell for welding into installation.

TP-901K-1-L= 200 mm, M = 50 mm, material 1.4541-T; TCH-2140-K sensor with the head-mount transmitter type TCH-2140-K.