

TEMPERATURE SENSOR

type 901, 902, 903

SPECIFICATION

Application temperature measurement in receptacles and pipelines, pressure limit to 40 MPa. Sensors are equipped with drilled thermowells made from boiler, acid resistant or other kinds of steel. Thermowell can be welded into installation (type **901**), screwed (type **902**) or fixed on the flange (type **903**).

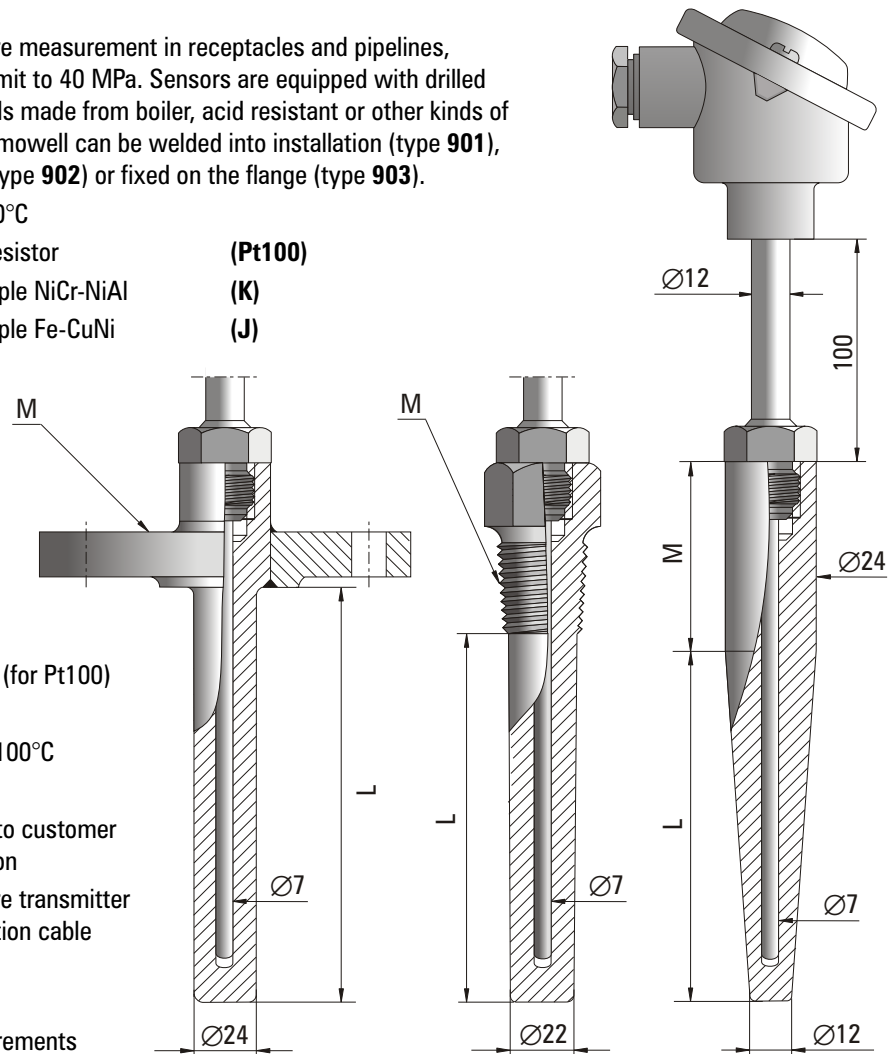
Temperature range 0°C...+550°C

Measuring element platinum resistor **(Pt100)**
 thermocouple NiCr-NiAl **(K)**
 thermocouple Fe-CuNi **(J)**

Class of processing element 2 (B)⁽¹⁾
Conductor material wire Cu/Ni (for Pt100)
Connection head type B or DA⁽²⁾
Head operating temperature -40°C...+100°C
Thermowell dimensions and material according to customer specification
Additional accessories temperature transmitter
 compensation cable

⁽¹⁾ Other parameters according to customer requirements

⁽²⁾ Connection head with protection class IP65 or acid resistant on demand



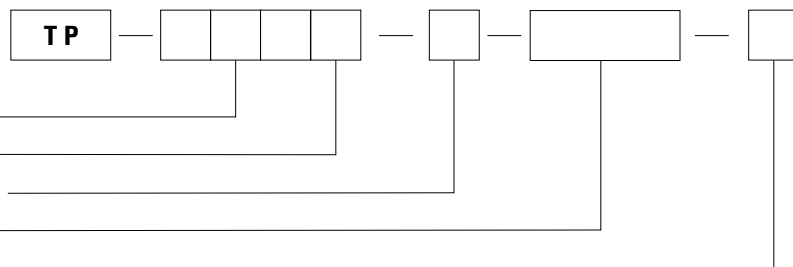
type 903

type 902

type 901

ORDERING CODE

Sensor type **901, 902, 903**
 Measuring element **Pt100, J or K**
 Single **(1)** or double **(2)** measuring element
 Thermowell parameters: **L, M, material**
 Option with the head-mount transmitter **T**



Example for order: TP-901K-1-L= 200 mm, M = 50 mm, material 1.4541 sensor with single thermocouple NiCr-NiAl(K) with thermowell for welding into installation.
 TP-901K-1-L= 200 mm, M = 50 mm, material 1.4541-T; TCH-2140-K sensor with the head-mount transmitter type TCH-2140-K.