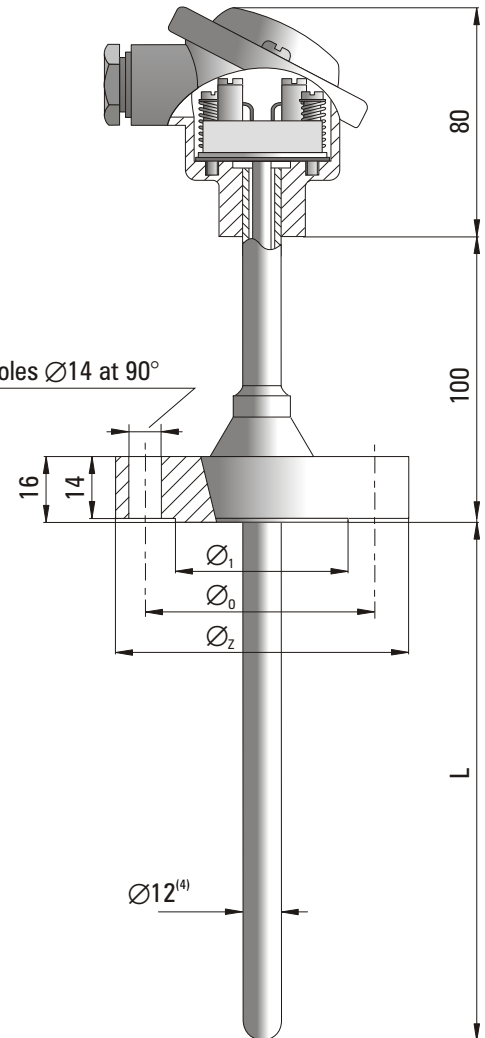


TEMPERATURE SENSOR

type 911, 912

SPECIFICATION

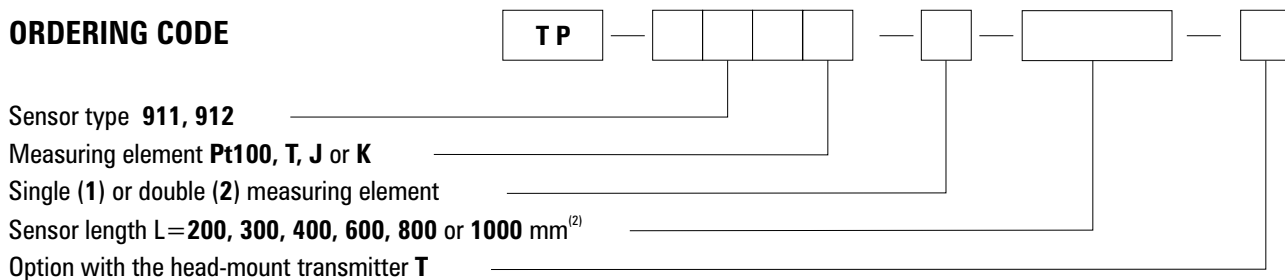
| | | |
|----------------------------------------|---------------------------------------------------------------------------------------------|---------------------------------------------|
| Temperature range | -40°C... +550°C -40°C... +400°C -40°C... +600°C -40°C... +900°C | (Pt100) (T) (J) (K) |
| Measuring element - insert type TP-702 | platinum resistor thermocouple Cu-CuNi thermocouple Fe-CuNi thermocouple NiCr-NiAl | (Pt100) ⁽¹⁾ (T) (J) (K) |
| Class of processing element | 2 (B) ⁽²⁾ | |
| Conductor material | wire Cu/Ni (for Pt100) | |
| Assembly | 2, 3 or 4 wires (for Pt100) | |
| Measuring junction | insulated ⁽²⁾ | |
| Sheath material | steel 1.4541 | |
| Roughness of sheath surface | $R_a < 0,8 \mu m$ ⁽²⁾ | |
| Flange | DN 20 or DN 25 according to ISO 7005-1 ⁽⁵⁾ | |
| Maximum operating pressure | see the Sheath Operating Loads | |
| Connection head type | B or NA ⁽³⁾ | |
| Head operating temperature | -40°C... +100°C | |
| Additional accessories | temperature transmitter compensation cable | |



- ⁽¹⁾ Pt500, Pt1000, Ni100, Ni1000 on demand
⁽²⁾ Other parameters according to customer requirements
⁽³⁾ Connection head with protection class IP65 or acid resistant on demand
⁽⁴⁾ Other outer sheath diameters on demand
⁽⁵⁾ Other flanges on demand

| Sensor type | Flange | Ø ₁ (mm) | Ø ₀ (mm) | Ø ₂ (mm) |
|-------------|--------|---------------------|---------------------|---------------------|
| TP-911 | DN20 | 56 | 75 | 105 |
| TP-912 | DN25 | 65 | 85 | 115 |

ORDERING CODE



Example for order: TP-911K-1-400 sensor (with measuring insert TP-702K-1-530) with single thermocouple NiCr-NiAl (K) of outer diameter $\varnothing = 12$ mm and length $L = 400$ mm with welded flange DN20.
 TP-911K-1-400-T; TCH-2140-K sensor with head-mount transmitter type TCH-2140-K.