

# TEMPERATURE SENSOR

## type 971, 972, 973, 974

### SPECIFICATION

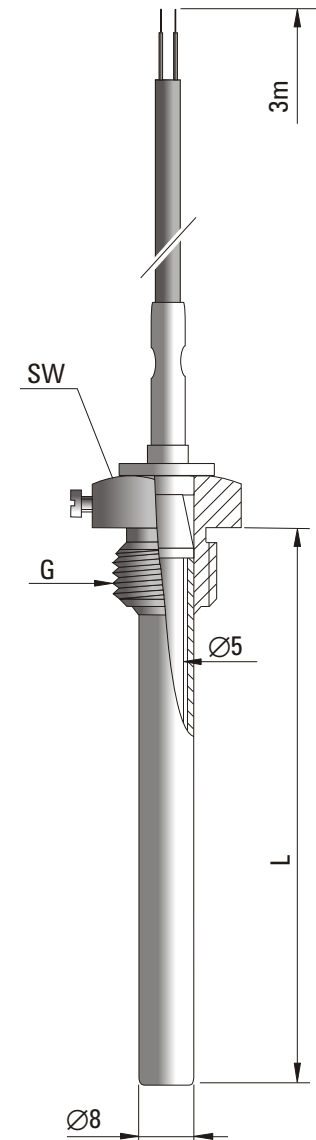
Application	temperature measurement in pipelines and central heating systems
Temperature range	-40°C... +150°C
Measuring element	platinum resistor <b>(Pt100)<sup>(1)</sup></b>
Class of processing element	B <sup>(2)</sup>
Sheath material	steel 1.4541
Maximum operating pressure	1,6 MPa
Roughness of sheath surface	$R_a < 0,8 \mu\text{m}^{(2)}$
Connecting cable in silicon insulation	cord 2 x 0,35 mm <sup>(2)</sup>
Length of the cable $L_k$	3 m <sup>(3)</sup>
Cable operating temperature	-20°C... +150°C
Additional accessories	thermowell for welding

<sup>(1)</sup> Pt500, Pt1000, Ni100, Ni1000 on demand

<sup>(2)</sup> Other parameters according to customer requirements

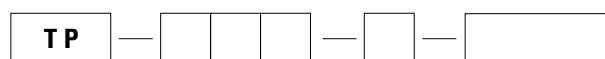
<sup>(3)</sup> Other sensor and cable lengths on demand

<sup>(4)</sup> Other threads inch and metric on demand



Sensor type	TP-971	TP-972	TP-973	TP-974
G <sup>(4)</sup>	G 1/2"	G 3/8"	G 1/4"	for welding
SW	Hex.24	Hex.19	Hex.17	Ø22

### ORDERING CODE



Sensor type **971, 972, 973, 974**

Single **(1)** or double **(2)** measuring element

Sensor length  $L=50, 85, 100, 150$  or  $200$  mm<sup>(2)</sup>

### Example for order:

TP-971-1-85 sensor with single Pt100 resistor, outer housing of length  $L = 85$ mm and thread G1/2", cable of length  $L_k = 3$  m.