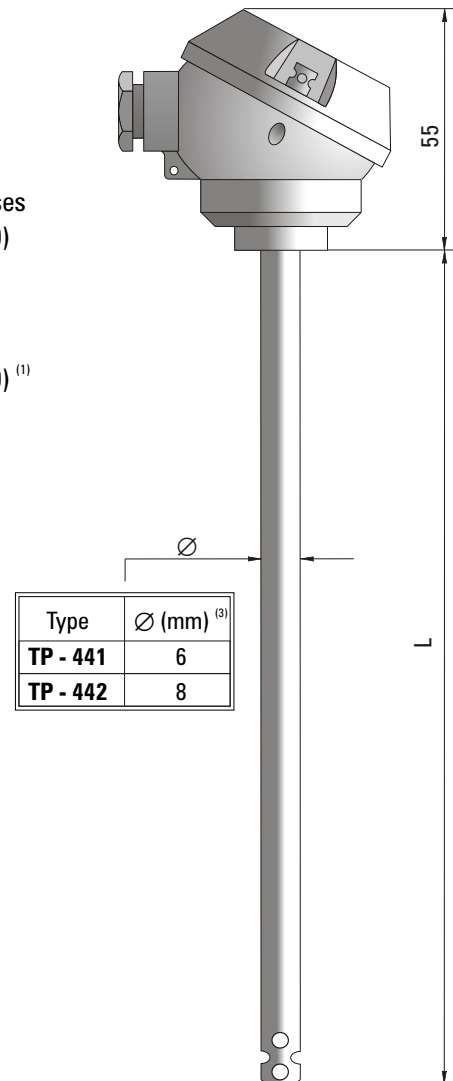


TEMPERATURE SENSOR

type 441, 442

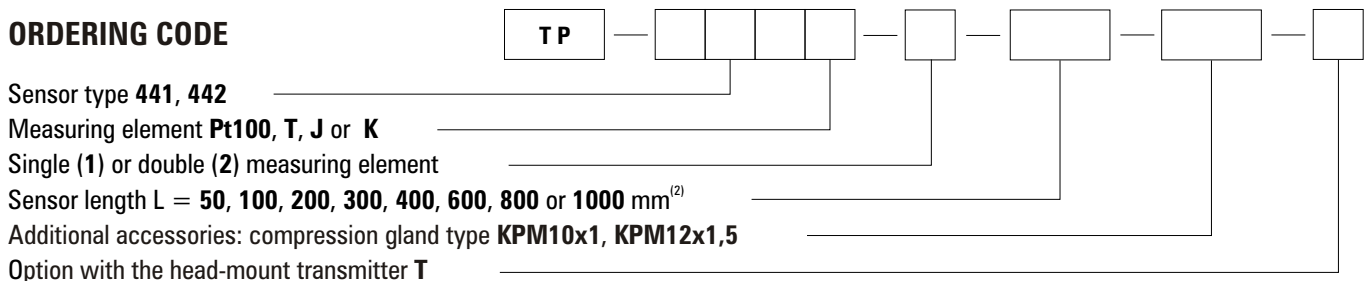
SPECIFICATION

Application	temperature measurement of gases
Temperature range	-40°C...+400°C (Pt100) -40°C...+400°C (T) -40°C...+400°C (J) -40°C...+600°C (K)
Measuring element	platinum resistor (Pt100) ⁽¹⁾ thermocouple Cu-CuNi (T) thermocouple Fe-CuNi (J) thermocouple NiCr-NiAl (K)
Class of processing element	1 (A)
Conductor material	wire Cu/Ni (for Pt100)
Assembly	3-wire (for Pt100) ⁽²⁾
Measuring junction	insulated
Sheath material	steel 1.4541
Connection head type	MA or B ⁽⁴⁾
Head operating temperature	-40°C...+100°C
Additional accessories	compression gland type KP temperature transmitter compensation cable



⁽¹⁾ Pt500, Pt1000, Ni100, Ni1000 on demand
⁽²⁾ Other parameters according to customer requirements
⁽³⁾ Other sheath diameter on demand
⁽⁴⁾ Connection head with protection class IP65 or acid resistant on demand

ORDERING CODE



Example for order: TP-441K-1-400 sensor with connection head type MA, with single thermocouple NiCr-NiAl (K) of outer diameter $\varnothing = 6\text{mm}$ and length $L=400\text{mm}$.
 TP-441K-1-400-T; TCH-2140-K sensor with connection head type B, option with the head-mount transmitter type TCH-2140-K.