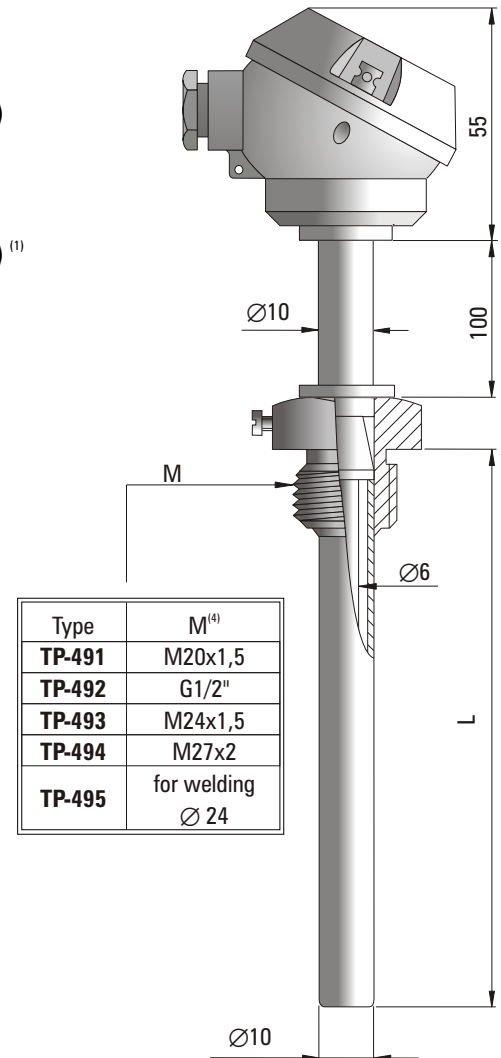


TEMPERATURE SENSOR

type 491, 492, 493, 494, 495

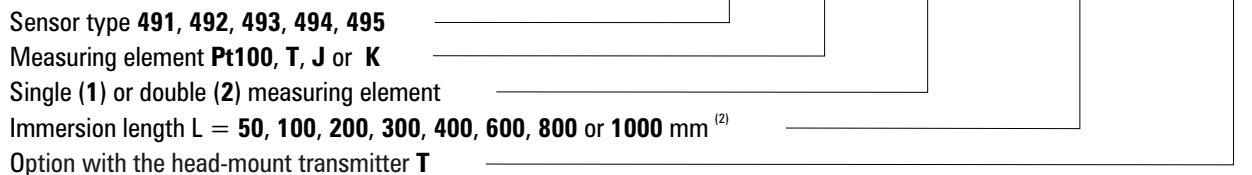
SPECIFICATION

Application	temperature measurement in receptacles and pipelines
Temperature range	-40°C... +550°C (Pt100) -40°C... +400°C (T) -40°C... +600°C (J) -40°C... +900°C (K)
Measuring element	platinum resistor (Pt100) ⁽¹⁾ thermocouple Cu-CuNi (T) thermocouple Fe-CuNi (J) thermocouple NiCr-NiAl (K)
Class of processing element	2 (B) ⁽²⁾
Conductor material	wire Cu/Ni (for Pt100)
Assembly	2, 3 or 4 wires (for Pt100)
Measuring junction	insulated ⁽²⁾
Sheath material	steel 1.4541
Roughness of sheath surface	$R_a < 0,8 \mu\text{m}$ ⁽²⁾
Connection head type	MA or B ⁽³⁾
Maximum operating pressure	see the Sheath Operating Loads information
Head operating temperature	-40°C... +100°C
Additional accessories	thermowell for welding temperature transmitter compensation cable



⁽¹⁾ Pt500, Pt1000, Ni100, Ni1000 on demand
⁽²⁾ Other parameters according to customer requirements
⁽³⁾ Connection head with protection class IP65 or acid resistant on demand
⁽⁴⁾ Other inch and metric threads on demand

ORDERING CODE



Example for order: TP-491K-1-400 sensor with connection head type MA, with single thermocouple NiCr-NiAl (K) with sheath of immersion length L=400mm and thread M20x1,5.
 TP-491K-1-400-T; TCH-2140-K sensor with connection head type B, option with the head-mount transmitter type TCH-2140-K