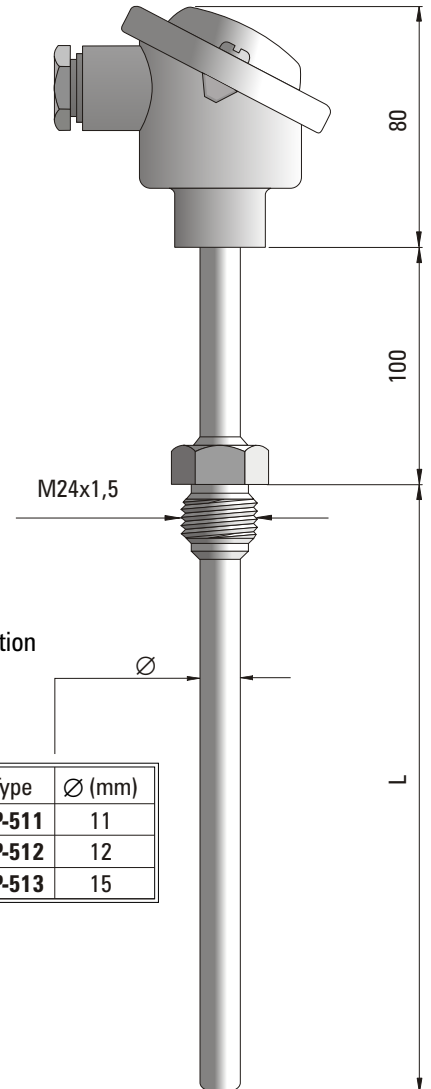


TEMPERATURE SENSOR

type 511, 512, 513

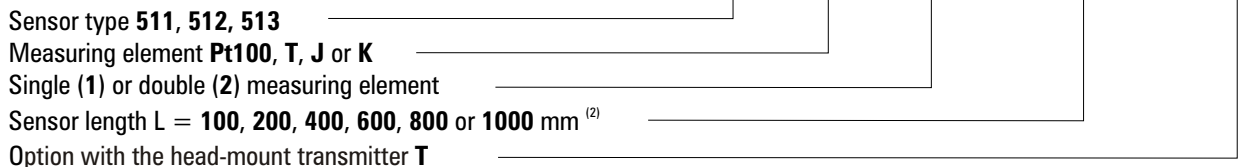
SPECIFICATION

Temperature range	-40°C...+550°C	(Pt100)
	-40°C...+400°C	(T)
	-40°C...+600°C	(J)
	-40°C...+900°C	(K)
Measuring element	platinum sensor	(Pt100) ⁽¹⁾
	thermocouple Cu-CuNi	(T)
	thermocouple Fe-CuNi	(J)
	thermocouple NiCr-NiAl	(K)
Class of processing element	2 (B) ⁽²⁾	
Conductor material	wire Cu/Ni (for Pt100)	
Assembly	2, 3 or 4 wires (for Pt100)	
Measuring junction	insulated ⁽²⁾	
Sheath material	steel 1.4541	
Roughness of sheath surface	$R_a < 0,8 \mu m$ ⁽²⁾	
Maximum operating pressure	see Sheath Operating	Loads information
Connection head type	B ⁽³⁾	
Head operating temperature	-40°C...+100°C	
Additional accessories	thermowell for welding temperature sensor compensation cable	



⁽¹⁾ Pt500, Pt1000, Ni100, Ni1000 on demand
⁽²⁾ Other parameters according to customer requirements
⁽³⁾ Connection head with protection class IP65 or acid resistant on demand
⁽⁴⁾ Other inch and metric threads on demand

ORDERING CODE



Example for order: TP-511K-1-400 sensor with single thermocouple NiCr-NiAl (K) of outer diameter Ø = 11mm, length L=400mm with thread M24x1,5.
 TP-511K-1-400-T; TCH-2140-K sensor with the head-mount transmitter type TCH-2140-K