

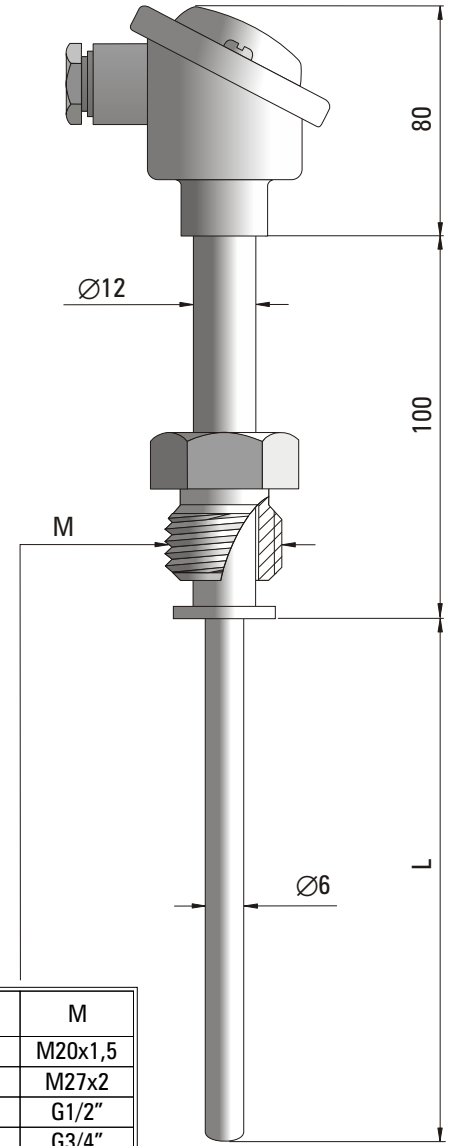
TEMPERATURE SENSOR

type 531, 532, 533, 534

SPECIFICATION

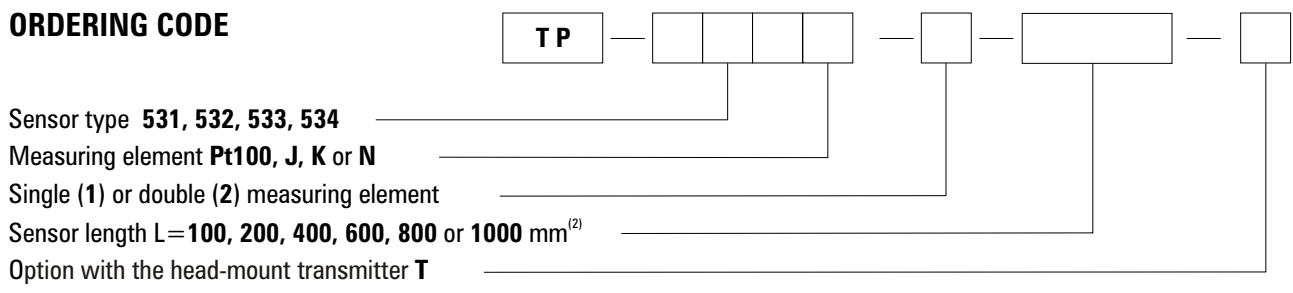
Temperature range	-40°C...+550°C -40°C...+800°C -40°C...+1100°C -40°C...+1250°C	(Pt100) (J) (K) (N)
Measuring element	platinum resistor thermocouple Fe-CuNi thermocouple NiCr-NiAl thermocouple NiCrSi-NiSi	(Pt100) ⁽¹⁾ (J) (K) (N)
Class of processing element	2 (B) ⁽²⁾	
Conductor material	wire Cu/Ni (for Pt100)	
Assembly	2, 3 or 4 wires (for Pt100)	
Measuring junction	insulated ⁽²⁾	
Sheath material Ø6	steel 1.4541 (Pt100) Inconel (J, K) Nicrobell (N)	
Maximum operating pressure	1,6 MPa	
Roughness of sheath surface	$R_a < 0,8 \mu m$ ⁽²⁾	
Connection head type	B ⁽³⁾	
Head operating temperature	-40°C ... +100°C	
Hexagon nut	movable with external thread M20x1,5, M27x2, G1/2", G3/4" ⁽⁴⁾	
Additional accessories	temperature transmitter thermowell for welding compensation cable	

⁽¹⁾ Pt500, Pt1000, Ni100, Ni1000 on demand
⁽²⁾ Other parameters according to customer requirements
⁽³⁾ Connection head with protection class IP65 or acid resistant on demand
⁽⁴⁾ Other inch and metric threads on demand



Type	M
TP-531	M20x1,5
TP-532	M27x2
TP-533	G1/2"
TP-534	G3/4"

ORDERING CODE



Example for order: TP-533Pt100-1-200 sensor with single Pt100 resistor with mobile nut, external thread G1/2" and length L= 200 mm.
 TP-533Pt100-1-200-T; TCH-2120-Pt100 sensor with the head-mount transmitter type TCH-2120-Pt100.