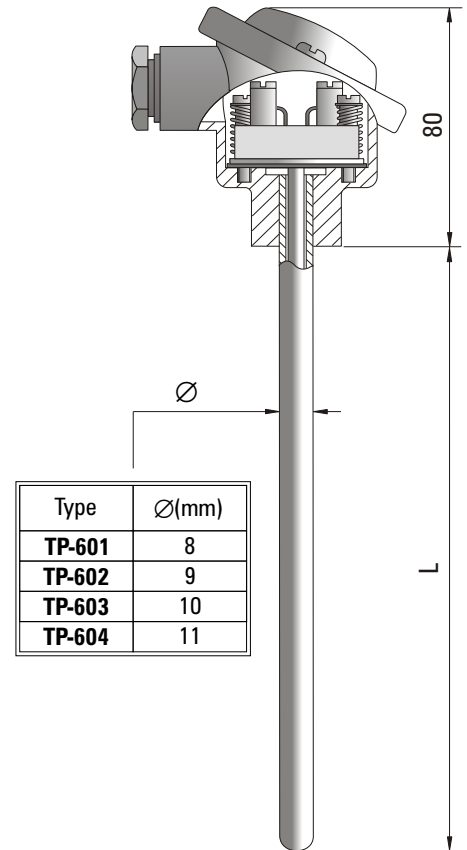


# TEMPERATURE SENSOR

## type 601, 602, 603, 604

### SPECIFICATION

Temperature range	-40°C...+550°C	<b>(Pt100)</b>
	-40°C...+400°C	<b>(T)</b>
	-40°C...+600°C	<b>(J)</b>
	-40°C...+900°C	<b>(K)</b>
Measuring element - insert type TP-701	platinum resistor	<b>(Pt100)<sup>(1)</sup></b>
	thermocouple Cu-CuNi	<b>(T)</b>
	thermocouple Fe-CuNi	<b>(J)</b>
	thermocouple NiCr-NiAl	<b>(K)</b>
Class of processing element	2 (B) <sup>(2)</sup>	
Conductor material	wire Cu/Ni (for Pt100)	
Assembly	2, 3 or 4 wires (for Pt100)	
Measuring junction	insulated <sup>(2)</sup>	
Sheath material	steel 1.4541	
Roughness of sheath surface	$R_a < 0,8 \mu m$ <sup>(2)</sup>	
Connecting head type	B or NA <sup>(3)</sup>	
Head operating temperature	-40°C...+100°C	
Additional accessories	temperature transmitter compression gland type <b>KP</b> compensation cable	



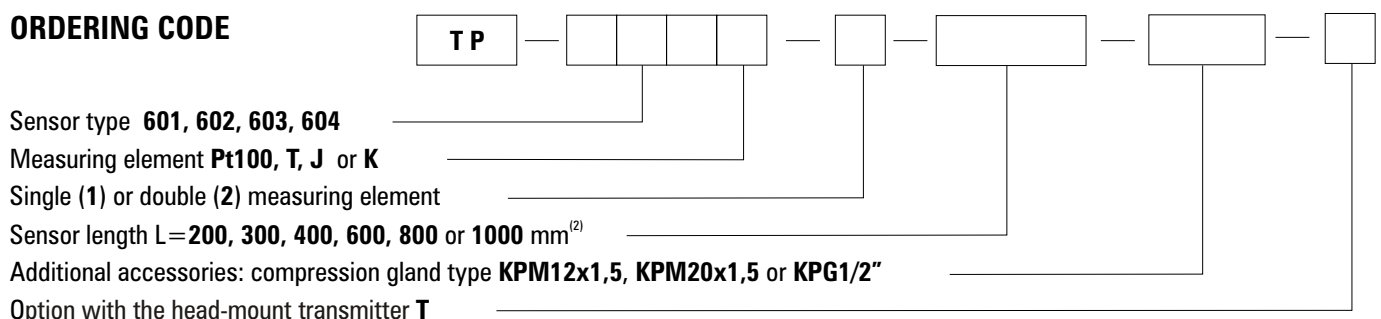
<sup>(1)</sup> Pt500, Pt1000, Ni100, Ni1000 on demand

<sup>(2)</sup> Other parameters according to customer requirements

<sup>(3)</sup> Connection head with protection class IP65 or acid resistant on demand

Sensor length L (mm)	200	300	400	600	800	1000
Length of insert TP-701 (mm)	230	330	430	630	830	1030

### ORDERING CODE



**Example for order:** TP-601K-1-400 sensor (with measuring insert type TP-701K-1-430) with single thermocouple NiCr-NiAl (K) of outer diameter  $\varnothing = 8$  mm and length L = 400 mm.  
 TP-601K-1-400-T; TCH-2140-K sensor with the head-mount transmitter type TCH-2140-K.