

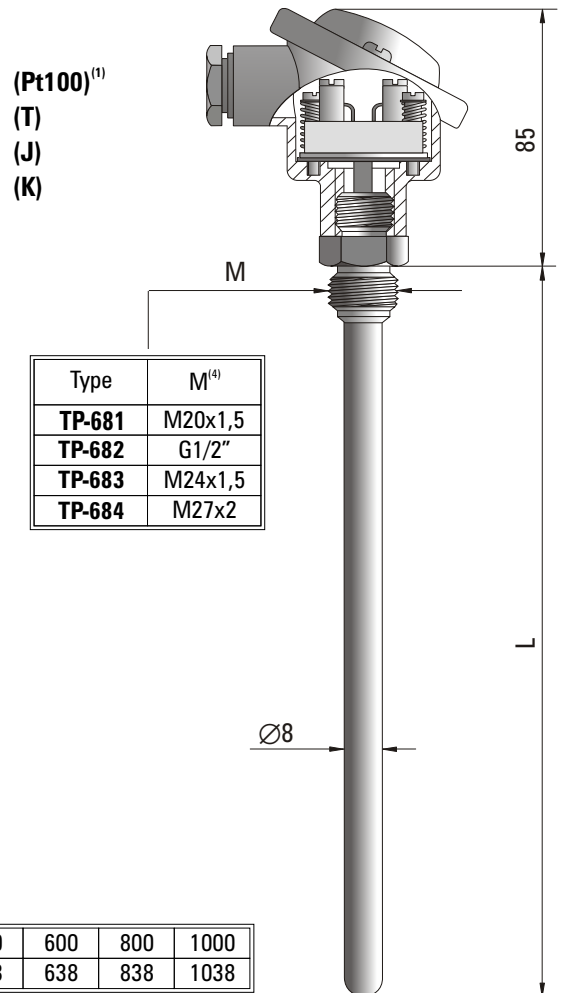
# TEMPERATURE SENSOR

## type 681, 682, 683, 684

### SPECIFICATION

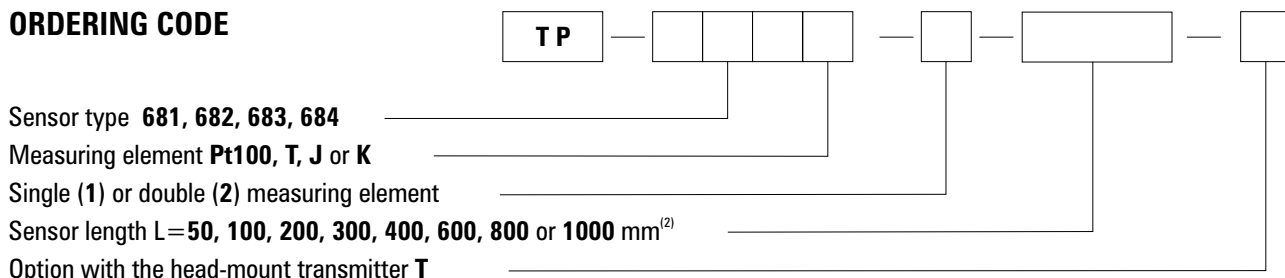
Temperature range	-40°C... +150°C
Measuring element	platinum resistor thermocouple Cu-CuNi thermocouple Fe-CuNi thermocouple NiCr-NiAl
Class of processing element	2 (B) <sup>(2)</sup>
Conductor material	wire Cu/Ag (for Pt100)
Assembly	2, 3 or 4 wires (for Pt100)
Measuring junction	insulated <sup>(2)</sup>
Sheath material	steel 1.4541
Roughness of sheath surface	$R_a < 0,8 \mu\text{m}^{(2)}$
Maximum operating pressure	1,6 MPa
Connecting head type	B or NA <sup>(3)</sup>
Head operating temperature	-40°C ... +100°C
Additional accessories	temperature transmitter thermowell for welding compensation cable

- <sup>(1)</sup> Pt500, Pt1000, Ni100, Ni1000 on demand  
<sup>(2)</sup> Other parameters according to customer requirements  
<sup>(3)</sup> Connection head with protection class IP65 or acid resistant on demand  
<sup>(4)</sup> Other inch and metric threads on demand



Sensor length L (mm)	50	100	200	300	400	600	800	1000
Length of insert TP-701 (mm)	88	138	238	338	438	638	838	1038

### ORDERING CODE



**Example for order:** TP-681Pt100-1-400 sensor with single Pt100 resistor (with measuring insert type TP-701Pt100-1-438), sheath of outer diameter  $\varnothing = 8$  mm and length L = 400 mm with thread M20x1,5.  
 TP-681Pt100-1-400-T; TCH-2120-Pt100 sensor with the head-mount transmitter type TCH-2120-Pt100.