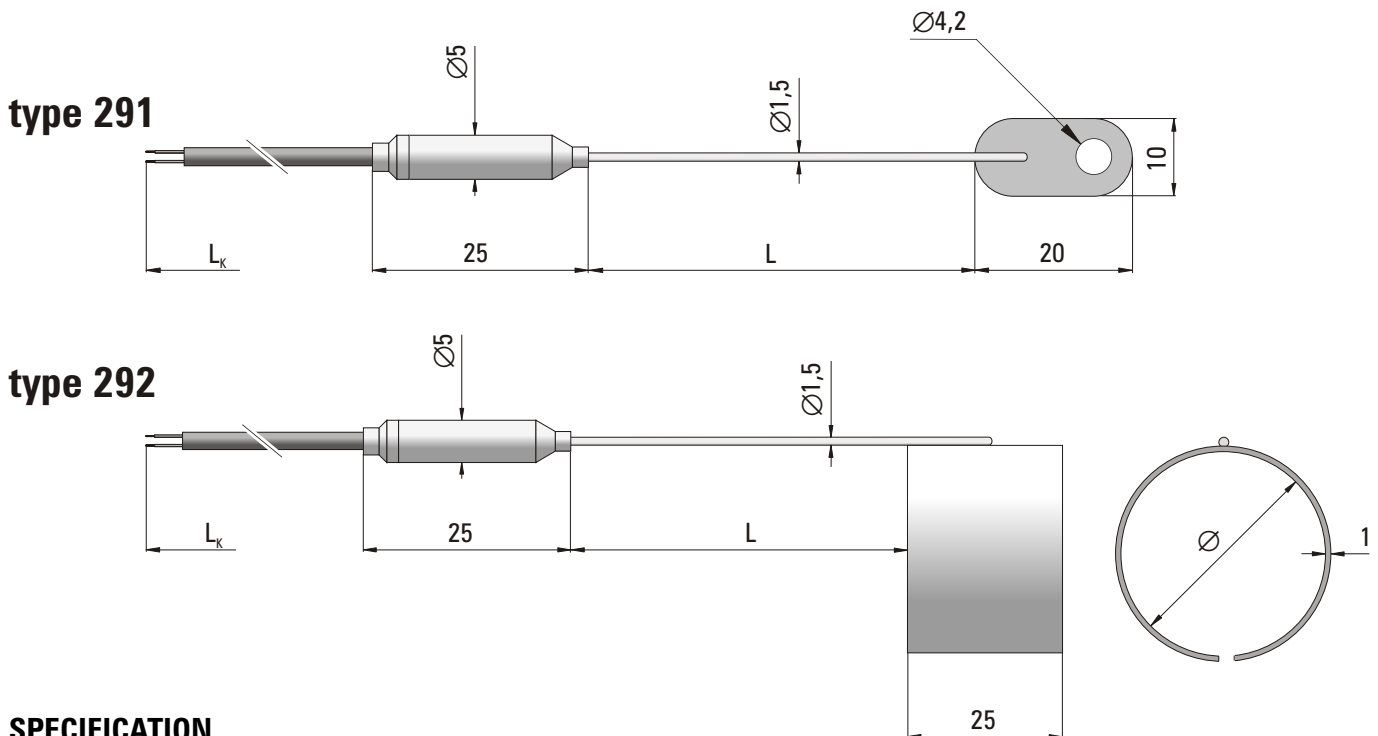


## TEMPERATURE SENSOR

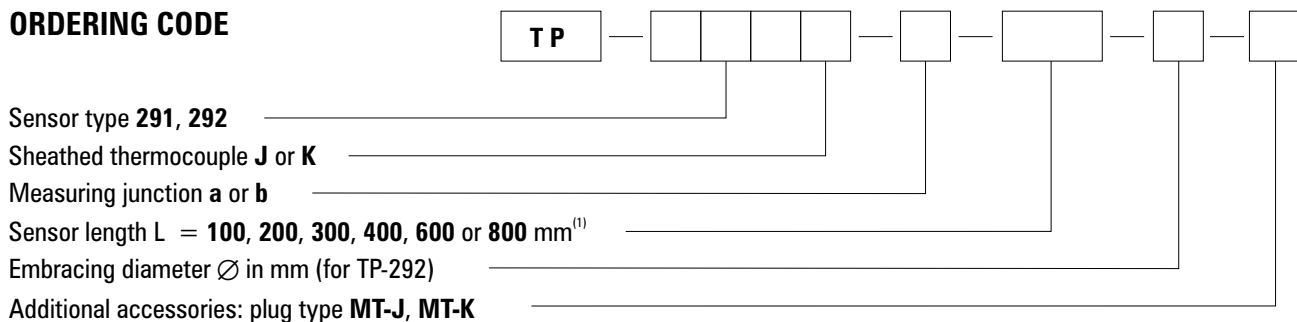


### SPECIFICATION

Application	temperature measurement of solid surfaces, parts of machinery or other constructional elements
Temperature range	-40°C... +700°C
Sheathed thermocouple	Fe-CuNi (J) NiCr-NiAl (K)
Measuring junction	grounded (type a), insulated (type b)
Class of thermocouple	2
Measuring tip material	Cu
Sheath material	Inconel
Length of compensation cable $L_k$	1,5 m <sup>(1)</sup>
Operating temperature of intermediate bush and cable	-20°C... +80°C <sup>(1)</sup>
Additional accessories	plug type MT (for use with hand held thermometers)

<sup>(1)</sup> Other parameters according to customer requirements

### ORDERING CODE



**Example for order:** TP-292K-b-200-30-MT-K sheathed thermocouple NiCr-NiAl(K) with measuring junction galvanically insulated from the sheath (type b), length  $L = 200$  mm, embracing diameter  $\varnothing = 30$  mm, length of compensation cable  $L_k = 1,5$  m and plug type MT-K.